

1: SPORTING REGULATIONS - GENERAL

1.1: TITLE & JURISDICTION:

The **SPORT SPECIALS CHAMPIONSHIP** is organised and administered by the 750 Motor Club Ltd in accordance with the General Regulations of Motorsport UK (incorporating the provisions of the International Sporting Code of the FIA) and these Championship Regulations.

1. **MOTORSPORT UK Championship Permit No:**
2. **MOTORSPORT UK Championship Grade: C.**
3. **Race Status:** Clubmans / National B.

1.2: OFFICIALS:

1. **Co-Ordinator:** G.Groombridge, Castle Donington, Derbyshire, DE74 2RP

☎ 01332 814548; ✉ giles@750mc.co.uk.

2. **Eligibility Scrutineer:** R.Blackmore

3. **Championship Stewards:**

R.Knight K. Messer I.Sowman

1.3: COMPETITOR ELIGIBILITY:

1. Entrants must:
 - (a) be fully paid up valid membership card holding members of the 750 Motor Club and
 - (b) be Registered for the Championship and
 - (c) be in possession of a valid MOTORSPORT UK Entrants Licences.
2. Drivers and Entrant/Drivers must:
 - (a) Be current Members of the 750 Motor Club and
 - (b) be Registered for the Championship and
 - (c) be in possession of valid Competition (Racing) National B Licence, as a minimum
 - (d) A professional driver, in possession of a valid Licence (featuring an E.U. flag) and medical, issued by the ASN of a member country of the European Union, or comparable country. ((H)26.2.1. applies)
 - (e) If participation in the Championship requires absence from education a driver, in full time school education is required to have the approval of their head teacher and a letter stating such approval from their school in order to fulfil registration for the Championship. A driver shall not take time out of their education to participate in motor sport without the prior written approval of their education establishment.
3. All necessary documentation must be presented for checking at all rounds when signing-on.

1.4: REGISTRATION:

1. All competitors must register for the championship by returning the Registration Form with the Registration Fee to the Coordinator prior to the Final Closing date for the first round being entered.
2. The Registration Fee for the season is £130 payable upon registration. For competitors wishing to enter a single event a registration fee of £25 is payable **and points will be awarded for this event**. If further races are entered the balance of the £130 fee must be paid.
3. Registration numbers will be the permanent Competition number for the Championship.

1.5: CHAMPIONSHIP ROUNDS:

The **SPORT SPECIALS CHAMPIONSHIP** will be contested over the following rounds:

Date	Circuit	Round/s
------	---------	---------

1.6: SCORING:

1. Points will be awarded **in each class** to Competitors listed in the Final Results as follows:-15; 12; 10; 9; 8; 7; 6; 5; 4; 3. All other finishers-2; all other starters - 1. Fastest lap per class - 1 point subject to a minimum of 2 starters in class. If there are less than 6 starters in any class, points will be 12; 9; 8; 7; 6. If there are less than 4 starters in any class, points will be 9; 8; 7. If there is only one starter in a class, there will be no point awarded for fastest lap.
2. The totals from all qualifying rounds (excluding any races which are abandoned and which are not replaced) less 2 will determine the final championship points positions.
3. Ties shall be resolved using the formula in (W)1.3.4. in the current MOTORSPORT UK Yearbook.
4. Where the race distance has been reduced (2.6.) it shall still count as a full points scoring round.
5. Competitors not registered for the Championship may be permitted on an individual round basis and will:
 - (a) be deemed "Guest Competitors"
 - (b) not score points and for the purpose of points scoring will be ignored
 - (c) qualify for Event awards
 - (d) comply with the eligibility criteria as prescribed in Article 1.3. above, with the exception of 1.3.1. (b) and 1.3.2. (b), as appropriate.

1.7: AWARDS:

1. All awards are to be provided by the Organising Club unless agreed otherwise.
2. Per Round: Trophies to 1st, 2nd and 3rd in each class (subject to a minimum of 5 starters in each group) **+highest placed Ma7da to regulations in Appendix B.**
3. Championship: Subject to a minimum of 5 race starts, trophies to:- 1st, 2nd, 3rd overall Class A & B only. All Classes 1st, 2nd and 3rd in each class **+ highest placed Ma7da to regulations in Appendix B.** Best prepared car.
4. Presentations: Awards will be presented at the end of each event, and/or at the end of the Championship at the designated presentation ceremony.
5. Entertainment Tax Liability: {deleted}
6. If Provisional Results or Championship Tables are revised after any presentations and these revisions affect the distribution of awards the Competitors concerned must return them to the organisers in good condition within 7 days.

2: CHAMPIONSHIP EVENT MEETINGS & RACE PROCEDURES

1. ENTRIES:

1. Competitors are responsible for sending in correct and complete entries with the correct entry fee prior to the closing date for entries before each event.
2. Incorrect or incomplete entries (Including Driver to be Nominated Entries) are to be held in abeyance until they are complete and correct and the date of receipt for acceptance of entry purposes shall be the date on which the Meeting Organiser receives the missing or corrected information or fee.
3. Any withdrawal of Entry or Driver/Car changes made after acceptance of any entry must be notified to the Meeting Organisers in writing. D25.1.12. applies.
4. The Entry Fee for each event shall be specified in the SRs and on the entry form.
5. Reserves will be listed in the Final List of Entries published with Final Instructions or in a Bulletin.

2. **BRIEFINGS:** Organisers should notify Competitors of the times and locations for all briefings in the Final Instructions for the meetings. Competitors must attend all briefings.

3. QUALIFICATION PRACTICE:

1. Should any Practice session be disrupted the Clerk of the Course shall not be obliged to resume or re-run the session; the decision of the Clerk of the Course shall be final.
2. Each driver shall complete a minimum of 3 laps in the car to be

raced, and in the correct session, in order to qualify (MOTORSPORT UK Regulations Q4.5).

4. RACES: Should any race be disrupted the Clerk of the Course shall not be obliged to resume or rerun the race ((Q)5.4.) (1.6.4. above applies)

5. STARTS:

1. All cars will be released to form up on the grid prior to the start in formation as specified on the grid sheet.
2. The start will be via Standing start. The minimum Countdown procedures/audible warnings sequence shall be:-
 - I. 1 minute to start of Green Flag/Pace Lap - Start Engines/Clear Grid.
 - II. 30 Seconds - Visible and audible warning for start of Green Flag/Pace Lap.
 - III. A five second board will be used to indicate that the grid is complete.
 - IV. The red lights will be switched on five seconds after the board is withdrawn.
3. Any car removed from the grid after the 1 minute stage or driven into the pits on the Green Flag lap shall be held in the pitlane and may start the race after the last car has passed the startline or pitlane exit, whichever is the later to take the start from the grid.
4. Any driver unable to start the Green Flag/Pace lap or start are required to indicate their situation as per MOTORSPORT UK Regulation (Q)12.13.2. In addition any driver unable to maintain grid positions on the Green Flag Lap, to the extent that ALL other cars are ahead of them, may complete the Green Flag lap but MUST remain at the rear of the last row of the grid but ahead of any cars to be started with a time delay.
5. In the event of any starting lights failure the Starter will revert to use of the National Flag.

6. SESSION RED FLAG: Should the need arise to stop any race or practice, RED LIGHTS will be switched on at the Startline and RED FLAGS will be displayed at the Startline and at all Marshals Signalling Points around the Circuit. This is the signal for all drivers to cease circulating at racing speeds, to slow to a safe and reasonable pace and to return to the pit lane, during practice, and to the starting grid area, during a race, unless otherwise directed by officials. Cars may not enter the Pits unless directed to do so. Work on cars already in the Pits must cease when a race is stopped.

7. PITS, PADDOCK & PITLANE SAFETY:

1. Pits & Paddock: Competitors must ensure that the MOTORSPORT UK, Circuit Management and Organising Club Safety Regulations are complied with at all times.
2. Pitlane: The outer lane or lanes are to be kept unobstructed to allow safe passage of cars at all times. The onus shall be on all Drivers to take all due care and respect the pit lane speed limits.
3. Refuelling: May only be carried out in accordance with the MOTORSPORT UK General Regulations, the Organising Club Regulations, Circuit Management Regulations and the SRs or Final Instructions issued for each Circuit/Meeting.
4. Speed Limit: Pit Lane Speed Limit will be 60 km/h.

8. RACE FINISHES: After taking the Chequered Flag drivers are required to:

- I. progressively and safely slow down
- II. remain behind any competitors ahead of them,
- III. return to the Pit Lane Entrance/Paddock Entrance as instructed,
- IV. comply with any directions given by Marshals or Officials
- V. keep their helmets on and harnesses done up while on the circuit or in the pitlane.

9. RESULTS : All Practice Timesheets, Grids, Race Results are to be deemed Provisional until all vehicles are released by Scrutineers after Post Practice/Race Scrutineering and/or after completion of any Judicial or Technical Procedures. (MOTORSPORT UK regulation (D)26.3.)

10. TIMING MODULES: The 750 Motor Club utilises transponder-based timing and competitors must have a compatible transponder

fitted and working and advise the race organisers of its number prior to the event. Compatible transponders include the AMB TRANX 260 and MyLaps X2.

11. QUALIFICATION RACES: If any event is oversubscribed the Organising Club may at their discretion run Qualification Races.

12. OPERATION OF SAFETY CAR: {deleted}

13. ONBOARD CAMERAS: {deleted}

3: SPECIFIC CHAMPIONSHIP REGULATIONS

In the event of any rounds being oversubscribed the Organising Club may, in liaison with the Championship Coordinator, at their discretion run Qualification races as per 2.11 of these regulations. Alternatively, at double header race meetings, should there be sufficient space within the timetable, the Organising Club may divide the grid after qualifying into 3 separate Groups. The Groups will then form 3 races whereby each competitor participates in two races. All 3 races will be eligible for full championship points.

At each Round of the championship Race 1 grid positions will be determined by each competitor's fastest lap time in Qualifying. At double header meetings, the grid positions for Race 2 will be determined by the competitor's second fastest lap time in Qualifying.

4: SPECIFIC CHAMPIONSHIP PENALTIES:

In accordance with Section C of the current MOTORSPORT UK Yearbook and additionally:

4.1: INFRINGEMENT OF TECHNICAL REGULATIONS:

1. Arising from post practice Scrutineering or Judicial Action:
Minimum Penalty: The provisions of MOTORSPORT UK Regulations: C3.3.
2. Arising from post race Scrutineering or Judicial Action:
Minimum Penalty: The provisions of MOTORSPORT UK Regulations: C3.5.1 (a) and (b).
For infringements deemed to be of a more serious nature the Clerk of the Course will invoke the provisions of Regulation C3.5.1 (c).

4.2: ADDITIONAL SPECIFIC CHAMPIONSHIP PENALTIES

1. In the case of a driver being excluded from a race, the Clerk of Course will impose the penalties set out in MOTORSPORT UK Regulation C3.5.1 a & b and may impose the penalty set out in MOTORSPORT UK Regulation C3.5.1 c.
2. In order to maintain standards of conduct, the Championship Organisers will monitor all Officials/Observers reports of adverse behavior at race meetings. If any individual is included on two such reports during one racing season the Championship Organisers will request the Clerk of Course at future race meetings to consider specific observation of that driver's conduct.
3. The Clerk of Course may impose a "Stop-Go" or "Drive through" penalty during a race in accordance with MOTORSPORT UK Regulation Q.12.6.
4. Any Competitor who is penalized under the Championship Sporting Regulations at any stage of a Championship event and receives an allocation of penalty points on their race license in accordance with MOTORSPORT UK Regulations, will receive a Championship points deduction equal to the number of penalty points which were allocated. Should the same competitor receive penalty points at another round of the Championship then the number of Championship points deducted will be double the number of penalty points applied. If penalty points are applied at a third round, then the Championship points deducted will be triple this number, and quadrupled at the fourth occurrence of such a penalty etc. This may result in a driver receiving a negative score.
5. Championship Stewards are also empowered to consider any request from the Championship co-ordinator to penalize any Competitor for any breach of Championship regulations and, after holding a formal hearing if they deem it necessary, to impose a penalty in accordance with MOTORSPORT UK Regulation C.2.1.1 (subject to the rights of appeal

provided for in Section C.)

6. One or more of the following may be imposed by the Championship Stewards as appropriate;

- a) Reprimand
- b) Fine. This may also be applied in the case of a driver receiving three reprimands from the Championship Stewards in one season.
- c) C) Time or Grid Penalties
- d) D) Suspension from all or part of the Championship. This may also be applied in the case of a driver receiving two fines from the Championship Stewards in one season.

5: TECHNICAL REGULATIONS

5.1: INTRODUCTION:

The following Technical Regulations are set out in accordance with the MOTORSPORT UK specified format and it should be clearly understood that if the following texts do not clearly specify that you can do it, you must work on the principle that you cannot. The fact that some modifications are mentioned as prohibited does not imply that others are allowed.

5.2: GENERAL DESCRIPTION:

The **SPORT SPECIALS CHAMPIONSHIP** is for Competitors participating in Roadgoing two-seater sports specials with a defined maximum power to weight ratio (Power at flywheel and weight including driver with helmet, overalls etc). Normally aspirated engines only (except MX150R to appendix A in Class C), limited slip differentials permitted, no 4 wheel drive. All vehicles must be of sound construction and mechanical condition and be well maintained. There is no requirement for an MOT Certificate, Road Tax or Insurance.

Cars will run in three classes:-

Class A: 340bhp/tonne.

Class B: 270bhp/tonne.

Class C: MX150R to appendix A.

These classes are intended to encompass a variety of cars, including 'one-off' specials, Caterhams with a maximum power to weight ratio of 340 or 270bhp/tonne dependant on class (Power at flywheel and weight including driver with helmet, overalls etc) subject to the approval of the Championship Organisers and MX150R cars to appendix A.

5.3: SAFETY REQUIREMENTS:

The following Articles of MOTORSPORT UK Section K Safety Criteria Regulations will apply:- Drawing 60 (i) with reference to K1.6.4; cars over 2000cc must have a cage as per drawing 5 or 6; K5, K6, K8 – K14.

Extinguishers must comply with MOTORSPORT UK regulation K 3.1.2 a). Seat belts must be FIA homologated and as per K2.1.2, 2.1.3. or 2.1.4.

5.4: GENERAL TECHNICAL REQUIREMENTS & EXCEPTIONS:

1. All cars must comply with the requirements of sections **J** and **Q19** of the current MOTORSPORT UK Yearbook. All vehicles must be of sound construction and mechanical condition and be well maintained. There is no requirement for an MOT Certificate, Road Tax or Insurance.

As a minimum, two mirrors must be fitted, each with a minimum surface area of 50 sq cms and giving a clear view to the rear, one on each side of the centreline of the vehicle.

STANDARD: The word 'standard' used within these technical regulations as a description of components is to be interpreted as per 'Standard Part' defined in Section B – Nomenclature & definitions in the MOTORSPORT UK Blue Book. Checking will be by comparison to spare parts supplied by the manufacturer's official agent or by any other means necessary to ensure compliance.

2. Drivers must declare their vehicle power at the flywheel and vehicle weight at the time of registration. Drivers may be requested to take their vehicle (at their own expense) to one of the Championship designated rolling roads (see Appendix C) either prior to participation or after competing (including the 750 Motor Club mobile MAHA dyno) where the car will be power tested in order to assess whether it is within the correct class limit. **Failure to comply will**

result in exclusion The designated rolling road centres for the Championship (including the 750 Motor Club mobile MAHA dyno) will all use MAHA LPS 3000 or FPS 2700 equipment.

A list of designated locations can be found in Appendix C of these regulations.

3. Data Loggers: The Championship co-ordinator reserves the right to request the fitting of a 750MC owned data logging system to any car prior to competition. Failure to comply will result in exclusion.

5.5: CHASSIS:

Front or rear-engined cars are permitted.

TOWING EYES with a minimum internal diameter of 60mm as detailed in Q19.1.3 must be fitted, no higher than 18" from ground level; (note the tow eye may be of either a suitable rigid or flexible material bolted to the chassis).

1. Modifications Prohibited:

1. General: Kevlar, carbon-fibre and titanium materials are not permitted in the chassis construction.

5.6: BODYWORK :

1. Modifications Permitted:

1. General: Maximum overhang of front bodywork (including any front spoilers or splitters) from front wheel axis is 850 mm. Maximum overhang of rear bodywork (including any rear spoilers) from rear wheel axis is 800 mm.

2. Interior: The cockpit seen in plan view must be symmetrical about the longitudinal axis of the car. The dimensions of the passenger seat space, elbow space, foot and leg room in terms of length, width, height and volume must be at least 75% of that provided for the driver; only a fire extinguisher, a battery and any rollbar bracing may impinge upon the passenger space. Tandem seating is not permitted. It is permissible to remove interior trim and passenger seat.

3. Exterior:

ALL VEHICLES: The engine (including carburettor & throttle bodies) and transmission must be fully enclosed. It is permitted for the air exit from a front-mounted radiator to exhaust through the top surface of the bodywork without any covering but the ducting between the bodywork and the radiator must ensure that the radiator hoses and piping are fully shielded from this ducting.

FRONT ENGINED CARS: Air filters may protrude through the bonnet without the need for any cover but must have an effective seal between them and the bonnet; any other holes in the upper surface of the bodywork forward of the steering wheel plus any holes in the side surfaces of the bodywork forward of the steering wheel above a longitudinal line joining the top of the front and rear wheel rims, must be covered with solid bodywork having only a forward facing opening, forward facing louvers or with a metallic gauze with a maximum hole size of 1mm; holes solely for the exhaust system do not require any cover/gauze but must be a reasonably close fit.

ALL VEHICLES must be fitted with a windscreen or an aeroscreen of minimum vertical height, measured at its attachment to the bodywork, of 75mm and a minimum width of 250mm. The passenger space may be covered by a removable tonneau cover, fitted no higher than the top edge of the bodywork. Soft-tops/hoods do not have to comply with the silhouette ruling (4.). Any car fitted with a soft-top or hardtop will be considered to be a closed car and must be fitted with a full width and height windscreen and rear screen. Any forward facing front spoiler/splitter within 15 degrees to the horizontal whether integral with or additional to the original bodywork may not project more than 50 mm beyond the plan form of the bodywork where the bodywork is part of the static structure of the car and rises to a height of at least 25mm above the top surface of the floor of the car. A front spoiler/splitter may not exceed the width of the car across the front wheel arches. Rear spoilers continuous with the bodywork may be fitted but must be no higher than 75mm above the bodywork immediately to the rear of the driver/passenger opening and must not exceed the maximum overhang as specified in 5.6.1.

4. Silhouette: Roadgoing two seater sports specials

The silhouette is free within that specified in 3)

Caterhams

The silhouette must remain unaltered. Front and/or Rear spoilers are not permitted.

5. Ground Clearance:

Under no circumstance can any part of the bodywork, or of the suspended part of the car with the exception of the exhaust system, be below a horizontal plane passing 75mm above the ground, the car being in normal racing trim with the driver aboard. A gauge of 75mm may be used by Scrutineers before or after races or practice to check the ground clearance.

2. Modifications Prohibited:

1. General:

2. Interior. It is not permitted to mount fuel tanks within the passenger space.

3. Exterior: Aerofoils are not permitted. No adjustable aerodynamic devices are permitted. Wheel arch extensions if used must be integrated with the body with smooth contour changes.

4. Silhouette: Roadgoing two seater sports specials: Any rear underbody diffuser/undertray must not extend beyond the plan view. **Caterhams** No modifications are permitted

5. Ground Clearance: Side-skirts or bridging devices are not permitted.

All engines must be based on series production car engines; forced induction is not permitted in any class except Class C MX150R to appendix A.

Location

Relocation of the engine is permitted provided no modifications are required to the original chassis or bulkheads (other than holes for cables or pipes). Rear-engined cars must mount the engine (and transmission) transversely which must have been mounted transversely in the donor car.

5.7.A.1 Class A

Roadgoing two-seatersports specials:

The principle of this class is to limit the power to weight ratio to 340 bhp/tonne (power at flywheel and weight including driver with helmet, overalls etc). Drivers must declare their vehicle power at the flywheel and vehicle weight at the time of registration. Drivers may be requested to take their vehicle (at their own expense) to one of the Championship designated rolling roads either prior to participation or after competing (including the 750 Motor Club mobile MAHA dyno) where the car will be power tested in order to assess whether it is within the correct class limit. Failure to comply will result in exclusion. The designated rolling road centres for the Championship (including the 750 Motor Club mobile MAHA dyno) will all use MAHA LPS 3000 or FPS 2700 equipment. A list of designated locations can be found in Appendix 2 to these regulations. For cars with ECU's capable of running multiple maps it's the driver's responsibility to prove that only one map is in use. If multiple maps are present the car will be tested on all maps and the highest power output will be used to confirm compliance with the power to weight ratio of 340bhp/tonne. Engines may be modified in any way subject to the restrictions of 5.7.A.2. Engine cylinder block, crankshaft and cylinder heads must be from the same model. Cylinder heads may be modified by the removal of material. The addition of material in any form is prohibited. Design and material of sump is free. Dry sump systems permitted. Crankshaft, conrods and bolts are free.

5.7.A.2: Modifications Permitted:

Engine capacity maximum 3950ccs two valve or 4 valve per cylinder, 4,6 or 8 cylinder. Rotary engines are permitted. Crankshaft stroke must remain standard. Dry sump lubrication is permitted

5.7.A.3: Modifications Prohibited:

5.7.A.4 Oil/Water cooling:

Any system may be used for oil and water-cooling provided radiators are within the overall periphery of the vehicle.

5.7.A.5 Induction Systems:

Free but engine must be normally aspirated. Turbocharging and supercharging are not permitted. The 750 MC reserves the right to implement a maximum choke size, throttle body size or specify the fitment of restrictor plates giving 21 days notice.

5.7.A.6 Exhaust systems:

Must comply with Regulation J5.16.1 to J5.16.7 in the current MOTORSPORT UK Yearbook. All cars manufactured after 31/12/99 must be fitted with a catalytic converter in the exhaust system. **No adjustable devices that reduce noise or power may be fitted.**

5.7.A.7 Ignition systems:

Ignition systems are free.

5.7.A.8 Fuel delivery systems:

No restrictions.

5.7.A.9ECU:

Only one engine management ECU may be fitted.

5.7.B.1 Class B

Roadgoing two-seatersports specials:

The principle of this class is to limit the power to weight ratio to 270 bhp/tonne (power at flywheel and weight including driver with helmet, overalls etc). Drivers must declare their vehicle power at the flywheel and vehicle weight at the time of registration. Drivers may be requested to take their vehicle (at their own expense) to one of the Championship designated rolling roads either prior to participation or after competing (including the 750 Motor Club mobile MAHA dyno) where the car will be power tested in order to assess whether it is within the correct class limit. Failure to comply will result in exclusion. The designated rolling road centres for the Championship (including the 750 Motor Club mobile MAHA dyno) will all use MAHA LPS 3000 or FPS 2700 equipment. A list of designated locations can be found in Appendix 2 to these regulations. For cars with ECU's capable of running multiple maps it's the driver's responsibility to prove that only one map is in use. If multiple maps are present the car will be tested on all maps and the highest power output will be used to confirm compliance with the power to weight ratio of 270bhp/tonne.

Engines may be modified in any way subject to the restrictions of 5.7.B.2. Engine cylinder block, crankshaft and cylinder heads must be from the same model. Cylinder heads may be modified by the removal of material. The addition of material in any form is prohibited. Design and material of sump is free. Dry sump systems not permitted. Crankshaft, conrods and bolts are free.

5.7.B.2: Modifications Permitted:

Engine capacity maximum 2000ccs two valve or 4 valves per cylinder, 4cylinder. Crankshaft stroke must remain standard.

5.7.B.3: Modifications Prohibited:

Rotary engines are not permitted.

Dry sump lubrication is not permitted.

5.7.B.4 Oil/Water cooling:

Any system may be used for oil and water-cooling provided radiators are within the overall periphery of the vehicle.

5.7.B.5 Induction Systems:

Free but engine must be normally aspirated. Turbocharging and supercharging are not permitted. The 750 MC reserves the right to implement a maximum choke size, throttle body size or specify the fitment of restrictor plates giving 21 days notice.

5.7.B.6 Exhaust systems:

Must comply with Regulation J5.16.1 to J5.16.7 in the current MOTORSPORT UK Yearbook. All cars manufactured after 31/12/99 must be fitted with a catalytic converter in the exhaust system. **No adjustable devices that reduce noise or power may be fitted.**

5.7.B.7 Ignition systems:

Ignition systems are free.

5.7.B.8 Fuel delivery systems:

No restrictions.

5.7.B.9ECU:

Only one engine management ECU may be fitted.

5.8: SUSPENSIONS:

1. Permitted modifications:

The type of suspension system, both front and rear, including springing medium and pick up points is free.

Dampers are free. Rose-joints may be used.



2. Prohibited modifications:

Controls which could allow adjustment of anti-roll bars by the driver whilst normally seated are prohibited.

3. Wheelbase/track:

Wheelbase free subject to MOTORSPORT UK requirements

5.9.A: TRANSMISSIONS: Class A

1.Modifications Permitted:

Cars may be either front or rear wheel drive. The gearbox and differential must be from a series production car. Torque biasing, locked, limited slip differentials and electronic traction control are permitted. Synchromesh or dog engagement is permitted.

2.Modification Prohibited:

Four wheel drive is not permitted. Transaxles including Hewland and similar specialist competitions gearboxes are not permitted. The use of a propshaft/driveshaft between engine and gearbox is not permitted. Only one differential unit may be used at any one time. Front or rear engined cars that use a transverse mounted transmission must use the differential that is integral with the transverse transmission only.

3. Transmissions & Drive ratios:

Gearbox and final drive ratios are free, but specialist competition transmissions are not permitted. Maximum number of forward ratios 6, plus mandatory reverse. Sequential change and Robotized/auto-select gearboxes are not permitted. Flat shift, launch controls not permitted. Rear engined cars must utilise the original transmission as fitted to the donor engine by the manufacturer, which must have been fitted transversely in the donor car and be fitted transversely in the competing car.

5.9.B: TRANSMISSIONS: Class B

1.Modifications Permitted:

Cars may be either front or rear wheel drive. The gearbox and differential must be from a series production car. Torque biasing, locked and limited slip differentials are permitted. Synchromesh or dog engagement is permitted.

2.Modification Prohibited:

Four wheel drive is not permitted. Transaxles including Hewland and similar specialist competitions gearboxes are not permitted. The use of a propshaft/driveshaft between engine and gearbox is not permitted. Only one differential unit may be used at any one time. Front or rear engined cars that use a transverse mounted transmission must use the differential that is integral with the transverse transmission only.

3. Transmissions & Drive ratios:

Gearbox and final drive ratios are free, but specialist competition transmissions are not permitted. Maximum number of forward ratios 6, plus mandatory reverse. Sequential change and Robotized/auto-select gearboxes are not permitted. Flat shift, launch controls not permitted. Rear engined cars must utilise the original transmission as fitted to the donor engine by the manufacturer, which must have been fitted transversely in the donor car and be fitted transversely in the competing car.

5.10: ELECTRICS

1. Exterior Lighting: All cars must be fitted with two rear brake lights which must be fully functional at all times, all other exterior lights are optional with the exception of 5.10:2 and the following:-if fully functioning front headlamps are not fitted a pair of Daytime Running Lamps must be fitted, whichever is fitted must be switched on and working at all times that the Rear Warning Lamp (5.10:2) is in use. Blown bulbs/fuses may be replaced for scrutineering purposes.

2. Rear Warning Light: An LED rear fog light to EU regulation 7, an FIA homologated LED rear warning light, or an LED stop light to EU regulation 38 is mandatory and must be mounted directly to the rear

or the underside of the rear roll hoop, within 10cms of the centreline of the vehicle. Any manufacturer fitted rear fog light must not be switched on unless it complies fully with this regulation.

3. Batteries: A battery and starter motor capable of repetitive starts must be fitted and be operable by the driver whilst normally seated.

4. Generators: A fully working alternator/generator must be fitted and electrically connected so that the standard battery charging function is providing a charge to the onboard battery.

5.11.A: BRAKES— Class A

1. Permitted Modifications: Brake callipers free, subject to only one calliper per wheel with a maximum of 6 pots. Adjustment of the brake balance by the driver whilst normally seated is permitted subject to compliance with Q19.5c.Handbrake not required.

2. Prohibited Modifications: ABS systems are prohibited. Carbon or ceramic discs are prohibited.

5.11.B: BRAKES – Class B

1. Permitted Modifications: Brake callipers free, subject to only one calliper per wheel with a maximum of 4 pots. Adjustment of the brake balance by the driver whilst normally seated is permitted subject to compliance with Q19.5c. Handbrake not required.

2. Prohibited Modifications: ABS systems are prohibited. Carbon or ceramic discs are prohibited.

5.12: WHEELS / STEERING

1. Permitted Options: Steering system is unrestricted. Wheels are free subject to dimensions below.

2. Prohibited Options:

3. Construction & Materials: No restrictions.

4. Dimensions: Diameter free. Width max combined total for Wheels 28".

5.13: TYRES

1. Specifications:

Any MOTORSPORT UK List 1A,1B or 1C tyre is permitted. Diameter, width and aspect ratio are free.

No alteration to the tyre from the manufacturer's specification is permitted. Re-cutting, re-grooving or in any other way modifying the tread pattern is not permitted. All the manufacturer's data must be clearly visible. Buffing of sidewalls to remove data is prohibited. The use of tyre heating/heat retention devices, tyre treatments and compounds is prohibited.

2. Nominated Manufacturers: Free

5.14.A: VEHICLE WEIGHT: Class A

1. Class A:No minimum weight. The weight must be such that the power to weight ratio does not exceed 340 bhp/tonne(power at flywheel and weight including driver with helmet, overalls etc).

2. Maximum weights, excluding driver must not exceed 750kg

5.14.B: VEHICLE WEIGHT: Class B

1. Class B: Minimum weights, excluding driver and including driver with helmet overalls etc(shown in brackets), are:-

Minimum weight510kgs (600kgs). The weight must be such that the power to weight ratio does not exceed 270 bhp/tonne (power at flywheel and weight including driver with helmet, overalls etc.

2. Maximum weights, excluding driver must not exceed 750kg

5.15: FUEL TANK / FUEL

1. Types: Fuel tanks are free but safety tanks are recommended. A non-return valve must be incorporated in the vent system.

2. Locations: It is permissible to relocate fuel tanks within MOTORSPORT UK regulations, provided it does not contravene 5.6.2.2. On safety grounds none of the fuel filler pipework, the filler cap or associated fittings may be attached to the external bodywork.

3. Fuel: Only petrol as defined in Section B Nomenclature & Definitions, Pump Fuel a) section of the MOTORSPORT UK Yearbook for the current year and complying with BS4040, BSEN228 or BS7800 may be used; fuel which exceeds the stated RON (max) levels in Appendix 1 of Section B Nomenclature & Definitions isprohibited even if it is sold/promoted as being legal for UK Competition and/or obtainable

from 'roadside' pumps. The use of additives by competitors which boost the octane rating (RON) in any petrol is prohibited. At the end of practice and the race at least 3 litres of petrol from the tank of the competing car must be available to the scrutineers for analysis. Compliance with minimum weight for the car will be taken before the petrol is removed.

5.16: SILENCING:

All vehicles must comply with the relevant maximum noise limits set out in MOTORSPORT UK Blue Book regulation J. Chart 5.18.

5.17: NUMBERS & CHAMPIONSHIP DECALS

1. Positions: Race numbers must be displayed on each side of the vehicle alongside the cockpit/driver and as far forward on the front of the vehicle as possible. 750 Motor Club decals must be affixed prominently near all number backgrounds. Class letters must be affixed near the number backgrounds. Championship Sponsor's decals (where applicable) must be affixed in or near the positions detailed on the diagram supplied with those decals. 750 Motor Club and Championship Sponsor's decals must take preference to any other decals. Failure to comply will render the vehicle and driver ineligible to race.

2. Suppliers: Sponsors and Club decals will be available at the first championship race in which the vehicle is entered.

6. APPENDIX A: MEV MX150R:

6.1: CHASSIS:

These will be based on the MEV MX150R and MEV Exocet factory supplied kits.

TOWING EYES with a minimum internal diameter of 60mm as detailed in Q19.1.3 must be fitted, no higher than 18" from ground level; (note the tow eye may be of either a suitable rigid or flexible material bolted to the chassis).

1. Modifications Prohibited:

1. General: Kevlar, carbon-fibre and titanium materials are not permitted in the chassis construction.

6.2: BODYWORK :

1. Modifications Permitted:

1. General: The principle of this class is to limit the power to weight ratio to 340 bhp/tonne (power at flywheel and weight including driver with helmet, overalls etc). Drivers must declare their vehicle power at the flywheel and vehicle weight at the time of registration. Drivers may be requested to take their vehicle (at their own expense) to one of the Championship designated rolling roads either prior to participation or after competing (including the 750 Motor Club mobile MAHA dyno) where the car will be power tested in order to assess whether it is within the correct class limit. Failure to comply will result in exclusion. The designated rolling road centres for the Championship (including the 750 Motor Club mobile MAHA dyno) will all use MAHA LPS 3000 or FPS 2700 equipment. A list of designated locations can be found in Appendix 2 to these regulations.

2. Interior: The cockpit seen in plan view must be symmetrical about the longitudinal axis of the car. The dimensions of the passenger seat space, elbow space, foot and leg room in terms of length, width, height and volume must be at least 75% of that provided for the driver; only a fire extinguisher, a battery and any rollbar bracing may impinge upon the passenger space. Tandem seating is not permitted. It is permissible to remove interior trim and passenger seat.

3. Exterior:

ALL VEHICLES: The engine (including carburettor & throttle bodies) and transmission must be fully enclosed. It is permitted for the air exit from a front-mounted radiator to exhaust through the top surface of the bodywork without any covering but the ducting between the bodywork and the radiator must ensure that the radiator hoses and piping are fully shielded from this ducting.

FRONT ENGINED CARS: Air filters may protrude through the bonnet without the need for any cover but must have an effective seal between them and the bonnet; any other holes in the upper surface of

the bodywork forward of the steering wheel plus any holes in the side surfaces of the bodywork forward of the steering wheel above a longitudinal line joining the top of the front and rear wheel rims, must be covered with solid bodywork having only a forward facing opening, forward facing louvers or with a metallic gauze with a maximum hole size of 1mm; holes solely for the exhaust system do not require any cover/gauze but must be a reasonably close fit.

ALL VEHICLES must be fitted with a windscreen or an aeroscreen of minimum vertical height, measured at its attachment to the bodywork, of 75mm and a minimum width of 250mm. The passenger space may be covered by a removable tonneau cover, fitted no higher than the top edge of the bodywork. Soft-tops/hoods do not have to comply with the silhouette ruling (4.). Any car fitted with a soft-top or hardtop will be considered to be a closed car and must be fitted with a full width and height windscreen and rear screen

4. Silhouette: MX150R

The silhouette must remain unaltered.

5. Ground Clearance:

Under no circumstance can any part of the bodywork, or of the suspended part of the car with the exception of the exhaust system, be below a horizontal plane passing 75mm above the ground, the car being in normal racing trim with the driver aboard. A gauge of 75mm may be used by Scrutineers before or after races or practice to check the ground clearance.

2. Modifications Prohibited:

1. General:

2. Interior. It is not permitted to mount fuel tanks within the passenger space.

3. Exterior: Rear Aerofoils are permitted. No adjustable aerodynamic devices are permitted.

5. Ground Clearance: Side-skirts or bridging devices are not permitted.

6.3: ENGINE:

Engines may be modified in any way subject to restrictions of 6.3.1, 6.3.2.

Engine cylinder block, crankshaft and cylinder heads must be from 1989 – 2005 NA, NB Mazda MX5.

Location

Relocation of the engine is not permitted.

6.3.1: Modifications Permitted:

Cylinder heads may be modified by the removal of material. The addition of material in any form is prohibited. Design and material of sump is free. Dry sump systems permitted. Conrods, valvetrain, pistons and bolts are free.

6.3.2: Modifications Prohibited:

Engine must not exceed 2000cc in capacity

6.3.3: Oil/Water cooling:

Any system may be used for oil and water-cooling provided radiators are within the overall periphery of the vehicle.

6.3.4: Induction Systems:

Turbocharging and supercharging are permitted. The 750 MC reserves the right to implement a maximum choke size, throttle body size or specify the fitment of restrictor plates giving 21 days notice.

6.3.5: Exhaust systems:

Must comply with Regulation J5.16.1 to J5.16.7 in the current MOTORSPORT UK Yearbook. All cars manufactured after 31/12/99 must be fitted with a catalytic converter in the exhaust system. **No adjustable devices that reduce noise or power may be fitted.**

6.3.6: Ignition systems:

Ignition systems are free.

6.3.7: Fuel delivery systems:

No restrictions.

6.4: SUSPENSIONS:

1. Permitted modifications:

The type of suspension system, both front and rear, including springing medium and pick up points is free.

Dampers are free. Rose-joints may be used.

2. Prohibited modifications:

Controls which could allow adjustment of anti-roll bars by the driver whilst normally seated are prohibited.

3. Wheelbase/track:

Wheelbase free subject to MOTORSPORT UK requirements

6.5: TRANSMISSIONS:

1.Modifications Permitted:

Cars must retain the original rear wheel drive configuration. The gearbox and differential must be from a 1989 -2005 NA, NB Mazda MX5. Torque biasing, locked, limited slip differentials and electronic traction control are permitted.

2.Modification Prohibited:

Four wheel drive is not permitted. Transaxles including Hewland and similar specialist competitions gearboxes are not permitted. The use of a propshaft/driveshaft between engine and gearbox is not permitted.

3. Transmissions & Drive ratios:

Gearbox and final drive ratios are free but must be from 1989-2005 NA, NB Mazda MX5 but specialist competition transmissions are not permitted and synchromesh must be retained. Maximum number of forward ratios 6, plus mandatory reverse. Sequential change and Robotized/auto-select gearboxes are not permitted. Flat shift, launch controls not permitted.

6.6: ELECTRICS

1. Exterior Lighting: All cars must be fitted with two rear brake lights which must be fully functional at all times, all other exterior lights are optional with the exception of 5.10:2 and the following:- if fully functioning front headlamps are not fitted a pair of Daytime Running Lamps must be fitted, whichever is fitted must be switched on and working at all times that the Rear Warning Lamp (5.10:2) is in use. Blown bulbs/fuses may be replaced for scrutineering purposes.

2. Rear Warning Light: An LED rear fog light to EU regulation 7, an FIA homologated LED rear warning light, or an LED stop light to EU regulation 38 is mandatory and must be mounted directly to the rear or the underside of the rear roll hoop, within 10cms of the centreline of the vehicle. Any manufacturer fitted rear fog light must not be switched on unless it complies fully with this regulation.

3. Batteries: A battery and starter motor capable of repetitive starts must be fitted and be operable by the driver whilst normally seated.

4. Generators: A fully working alternator/generator must be fitted and electrically connected so that the standard battery charging function is providing a charge to the onboard battery.

6.7: BRAKES

1. Permitted Modifications: Brake callipers free, subject to only one calliper per wheel with a maximum of 4 pots. Adjustment of the brake balance by the driver whilst normally seated is permitted. Handbrake not required.

2. Prohibited Modifications: ABS systems are prohibited. Carbon or ceramic discs are prohibited.

6.8: WHEELS / STEERING

1. Permitted Options: Steering system is unrestricted. Wheels are free subject to dimensions below.

2. Prohibited Options:

3. Construction & Materials: No restrictions.

4. Dimensions: Diameter 15" Width 7".

6.9: TYRES

1. Specifications:

Any MOTORSPORT UK List 1A, 1B or 1C Nankang tyre is permitted. Diameter 15", Width and aspect ratio are free.

No alteration to the tyre from the manufacturer's specification is permitted. Re-cutting, re-grooving or in any other way modifying the tread pattern is not permitted. All the manufacturer's data must be clearly visible. Buffing of sidewalls to remove data is prohibited. The

use of tyre heating/heat retention devices, tyre treatments and compounds is prohibited.

2. Nominated Manufacturers: Nankang

6.10: VEHICLE WEIGHT:

No minimum weight. The weight must be such that the power to weight ratio does not exceed 340 bhp/tonne (power at flywheel and weight including driver with helmet, overalls etc).

2. Maximum weights, excluding driver must not exceed 800kg

6.11: FUEL TANK / FUEL

1. Types: Fuel tanks are free but safety tanks are recommended. A non-return valve must be incorporated in the vent system.

2. Locations: It is permissible to relocate fuel tanks within MOTORSPORT UK regulations, provided it does not contravene 5.6.2.2. On safety grounds none of the fuel filler pipework, the filler cap or associated fittings may be attached to the external bodywork.

3. Fuel: Only petrol as defined in Section B Nomenclature & Definitions, Pump Fuel a) section of the MOTORSPORT UK Yearbook for the current year and complying with BS4040, BSEN228 or BS7800 may be used; fuel which exceeds the stated RON (max) levels in Appendix 1 of Section B Nomenclature & Definitions is prohibited even if it is sold/promoted as being legal for UK Competition and/or obtainable from 'roadside' pumps. The use of additives by competitors which boost the octane rating (RON) in any petrol is prohibited. At the end of practice and the race at least 3 litres of petrol from the tank of the competing car must be available to the scrutineers for analysis. Compliance with minimum weight for the car will be taken before the petrol is removed.

6.12: SILENCING:

All vehicles must comply with the relevant maximum noise limits set out in MOTORSPORT UK Blue Book regulation J. Chart 5.18.

7. APPENDIX B: Ma7da

7.1: INTRODUCTION:

The following Technical Regulations are set out in accordance with the MOTORSPORT UK specified format and it should be clearly understood that if the following texts do not clearly specify that you can do it, you must work on the principle that you cannot. The fact that some modifications are mentioned as prohibited does not imply that others are allowed. The Ma7da Series is not a Development Formula.

A) STANDARD: The word 'standard' used within these technical regulations as a description of components is to be interpreted as per 'Standard Part' defined in Section B – Nomenclature & definitions in the MOTORSPORT UK Blue Book. Checking will be by comparison to spare parts supplied by the manufacturer's official agent or by any other means necessary to ensure compliance.

B) STANDARD PATTERN: The phrase 'standard pattern' used within these technical regulations as a description of components is to be interpreted as per 'Standard Part' defined in Section B – Nomenclature & definitions in the MOTORSPORT UK Blue Book. Checking will be by comparison to spare parts supplied by the manufacturer's official agent or by any other means necessary to ensure compliance.

7.2: GENERAL DESCRIPTION:

The Ma7da is for Competitors participating in cars built to these regulations and the chassis specifications outlined in the book "Build Your Own Sports Car" written by Ron Champion. All cars will run within Class B.

7.3: SAFETY REQUIREMENTS:

All cars must comply with the technical regulations listed in the MOTORSPORT UK Year Book sections J & Q, and with the safety requirements listed in section K. Rollcage: A six-point cage as per

Diagram 1 in appendix 6 of these regulations, with reference to K1.6.1, is compulsory; optional reinforcing members such as those detailed in MOTORSPORT UK Year Book section K Drawing 12 may be fitted but none may extend forward of the front roll hoop; a diagonal brace/s within the top of the rollcage as per section K drawing 10 is recommended. Side-intrusion bars are strongly recommended to be fitted external to the chassis but may not extend further forward than the front of the driver footwell; they should be constructed using tubes of the same material and dimensions as the main cage and should be fitted by a roll cage manufacturer. Particular care should be taken in selecting the mounting positions for the 'feet' of the cage, with reference to MOTORSPORT UK Year Book section K drawings 13 to 20. It is important that the roll cage is attached to the vehicle in such a way as to distribute the forces over the largest possible surface. It is not sufficient to attach the cage to a tube which is not supported vertically. Cages should be designed to form extensions to the chassis itself and not merely as attached components. Extinguishers must comply with MOTORSPORT UK regulation K 3.1.2 a). Seat belts must be FIA homologated and as per K2.1.2, 2.1.3. or 2.1.4. Further reference should be made to K5 – K6 and K8 – K14.

Cars with cages that do not comply with the technical regulations listed in the current MOTORSPORT UK Year Book sections J & Q and with the safety requirements listed in section K; must be in possession of a valid ROPS certificate and display the manufacturers identification.

7.4: GENERAL TECHNICAL REQUIREMENTS & EXCEPTIONS:

All cars must comply with the requirements of sections J and Q19 of the current MOTORSPORT UK Yearbook. All vehicles must comply with MOT requirements (with the exception of front headlights, front & rear side lights and front & rear indicators, rear reflectors, horn, emissions & rear fog light), be of sound construction and mechanical condition and be well maintained. Cars must be presented to a high standard. Unrepaired damage or cars not achieving a satisfactory level of preparation as judged by the Series scrutineers may receive a warning and may ultimately result in exclusion. Presentation of a vehicle for scrutineering is a declaration by the entrant/driver that the vehicle is eligible for that event and fully complies with the Series regulations. There is no requirement for an MOT Certificate, Road Tax or Insurance. As a minimum, two mirrors must be fitted, each with a minimum surface area of 50 sq. cms and giving a clear view to the rear, one on each side of the centreline of the vehicle.

7.5: CHASSIS:

Chassis must remain identical to original in terms of material construction and dimensions. However, it is permitted to add an engine bay diagonal (line A) to mirror that on the driver's side and two bracing bars (lines B & C) between the cockpit sides and the junction of the dashboard top/transmission tunnel as per the drawings in Appendix 6 of these regulations; a permitted alternative rear bulkhead drawing is also shown in Appendix 6. It is also permitted to add a transverse bracing tube to the lower chassis in the footwell area as per the drawings in Appendix 6. **It is also permitted to retain chassis members C & B1 uncut as per the drawings in Appendix 6.** Towing Eyes with a minimum internal diameter of 60mm, as detailed in Q19.1.3 must be fitted, front & rear, no higher than 18" from ground level; any metal portion of the towing eyes must be within the overall periphery of the vehicle and may be extended by means of a suitable flexible strap. A propshaft restraint must be fitted in accordance with MOTORSPORT UK regulation K12. The area below the cockpit must have a steel floor of at least 18swg/1.2mm which must be substantially welded to the chassis as per Diagram 6 in the Appendix to these regulations. Aluminium under-skinning of the area behind the cockpit is permitted within the plan profile of the chassis and may not be extended beyond that profile. There must be drainage holes to prevent the

accumulation of liquids. No edges of any part of any under-skinning may extend downwards beyond the silhouette of the chassis. It is permitted to strengthen the steering rack mounts. It is recommended that all tube ends are sealed to prevent corrosion.

MATERIALS: Minimum thickness of:- chassis tubing = 16swg/1.5mm; steel floor = 18swg/1.2mm; aluminium panelling = 18swg/1.2mm. It is permitted to panel the transmission tunnel in 16/18swg aluminium as an alternative to steel. Spacing of rivets is free.

1. Modifications Permitted:

Chassis member "C" in Diagram 6 (see appendix) must be removed and should not be reinstated via any bolt on brace or chassis member. Chassis member "B2" in Diagram 6 (see appendix) may be relocated towards to the front of the vehicle by up to 80mm in order to allow for gear linkage clearance. A gearbox mount with a maximum cross-sectional area of 100sqcm may be welded or bolted to the chassis where appropriate.

1. Modifications Prohibited:

Anything in contravention of 5.5.1

7.6: BODYWORK:

Front and Rear Wings Material: Fibreglass traditional style as shown in photo in section 6 of these regulations. Solid Surface with no aerodynamic devices either attached or moulded in. Rear Panel Material: Aluminium or glass fibre with solid surface. Scuttle Material: Fibreglass, aluminium or steel. Bonnet Material: Aluminium or fibreglass. Nose cone Material: Fibreglass. Side Panels Material: Aluminium. The side panels must be fitted directly on to the chassis top and bottom side rails.

1. Modifications Permitted:

1. General: Bodywork must remain unaltered, subject to 5.6.1.4

2. Interior: Only a fire extinguisher, a battery, Handbrake Lever with Cable(s), additional ballast (Must be retained safely) and any rollbar bracing may impinge upon passenger space. It is permissible to remove interior trim and passenger seat. There must be a removable panel in the top of the driver's footwell which permits access for inspection of the brake pedal to master cylinder linkage.

3. Exterior: The engine and transmission must be fully enclosed. Air filters may protrude through the bonnet without the need for any cover but must have an effective seal between them and the bonnet; any other holes in the upper surface of the bodywork forward of the steering wheel plus any holes in the side surfaces of the bodywork forward of the steering wheel above a longitudinal line joining the top of the front and rear wheel rims, must be covered with solid bodywork having only a forward facing opening, forward facing louvers or with a metallic gauze with a maximum hole size of 1mm; vents may be fitted in the side surfaces of the bodywork forward of the engine bay/passenger compartment bulkhead and below a longitudinal line joining the top of the front and rear wheel rims. These vents are restricted to being fitted into an aperture in the bodywork of a maximum surface area of 430sq cms per side. Any vents must have a maximum protrusion of 25mm, rearward facing or covered by gauze. Holes solely for the exhaust system do not require any cover/gauze but must be a reasonably close fit. All vehicles must be fitted with a windscreen or an aeroscreen of minimum vertical height, measured at its attachment to the bodywork, of 75mm and a minimum width of 250mm. The passenger space may be covered by a removable tonneau of soft flexible material or fibreglass fitted no higher than the top edge of the bodywork. Soft-tops/hoods do not have to comply with silhouette ruling (4). Any car fitted with a soft-top or hardtop will be considered to be a closed car and must be fitted with a full width

and height windscreen and rear screen. A front number plate or a solid mounting plate 525mm wide by 115mm high (\pm 5mm on both dimensions) mounted securely & permanently vertical at all times, under the front of the nosecone and complying with ride-height regulations is mandatory; competitors will be issued with Series decals to be affixed to the plate. For clarification of MOTORSPORT UK regulation J5.2.6, mudguards must present no sharp edges and cover the complete wheel (flange, tyre and rim) around a minimum arc of 120° measured from hub centre and must be a continuous surface of rigid material with no gaps holes slots or vents. The front edge of the mudguard must be ahead of the vertical hub centreline. The rear edge of the mudguard may not be more than 75mm above the hub horizontal centreline. (The Offside front Mudguard may have a flexible mud flap fitted for the sole purpose of deflecting water.)

4. Bodywork: Must remain unaltered with the exception of height of the scuttle and any "bulge" fitted to the bonnet in order to accommodate the Mazda engine. The bonnet must be solid with no cutouts, ducting or scoops. Rear facing vents up to a total maximum of 50sqcm cross sectional area may be fitted to the bonnet.

5. Ground Clearance: Under no circumstance can any part of the bodywork, or of the suspended part of the car with the exception of the exhaust system, the sump and the bellhousing, be below a horizontal plane passing 75mm (50mm for the sump, exhaust system and the bellhousing) above the ground, the car being in normal racing trim with the driver aboard. A suitable gauge may be used by Scrutineers before or after races or practice to check the ground clearance. It is permitted to add shims to or modify the engine mountings in order to comply with these minimum heights. There is no minus tolerance to these measurements.

2. Modifications Prohibited:

- 1. General:** Kevlar, carbon fibre and titanium materials are not permitted.
- 2. Interior.** It is not permitted to mount the fuel tank/s within the passenger space.
- 3. Exterior:** Aerofoils, spoilers and side pods are not permitted. No adjustable aerodynamic devices are permitted. Wheel arch extensions are not permitted. 'Under-skinning' of the chassis is prohibited with the exception of the areas detailed in 5.5
- 4. Bodywork:** Modifications to the bodywork which the organisers or scrutineers deem may give an aerodynamic advantage are prohibited:
- 5. Ground Clearance:** Side skirts or bridging devices are not permitted.

7.7: ENGINE:

The only permitted engine is the Mazda BP-Z3 1.8i VVT engine (produced from 2001 to 2005.) Both block and cylinder head must be identifiable as BP-Z3 components.

All internal engine parts must be standard or standard pattern parts, it is the competitor's responsibility to ensure that no prohibited modifications have been carried out if they are using an engine not assembled by them. No other modifications are permitted beyond the repair or adjustment processes specifically specified by the manufacturers' workshop manual with the exception that the cylinder bores must remain standard and the original size, no over boring is permitted even to allow the reclaiming of engines.

1. Modifications Permitted:

No modifications are permitted beyond the repair or adjustment processes specifically specified by the manufacturers' workshop manual. Replacement of valves, valve guides and valve seats must be with parts of standard pattern and material. Flywheels must be

standard and weigh a minimum of 7.5kg.

2. Modifications Prohibited:

Any other than those permitted in 5.7.1. The standard cam chain cover/s must be retained. It is specifically prohibited to modify inlet ports, exhaust ports and combustion chambers in any way, and all must remain as cast. Camshaft profiles and cam timing must remain as standard removal of metal by grinding or modification is prohibited.

3. Location:

The engine must be fitted in line with the longitudinal axis of the chassis +/- 3 degrees, with the crankshaft axis within 40mm of the chassis centreline. Horizontal flat plate sections with a thickness up to 4mm and 100sqcm may be bolted or welded to the engine in order to accommodate mountings.

The rear face of the engine block (where the gearbox mounts) must be a minimum of 13cm from chassis member "Q" in Diagram 3 (see appendix.)

4. Oil/Water cooling:

Water radiators are free. Oil coolers are not permitted.

5. Induction Systems:

The inlet manifold must be replaced by an unmodified GBS Ma7da plenum (see appendix) and an unmodified GBS Ma7da restrictor plate (see appendix) fitted between the plenum and the face of the cylinder head. A standard throttle body from a BP-Z3 engine must be used.

An aftermarket cone or cylindrical air filter may be used but it must be open and not enclosed in an airbox of any sort. Heat shielding of the filter is permitted but must not fully enclose the filter.

6. Exhaust systems:

The exhaust manifold must be replaced with an unmodified GBS Ma7da manifold (see appendix) complete with an unmodified GBS Ma7da catalytic converter (see appendix.) The rest of the exhaust system (including silencer) is free but must terminate on the passenger side of the chassis ahead of the rear wheel. No part of the manifold, silencer, or exhaust pipe may be covered or coated irrespective of any heat resistant properties. The wide band lambda sensor supplied with the ECU must be present, fitted in the manifold boss and operational at all times.

7. Ignition systems:

Cars must use a control Emerald K6 ECU supplied and sealed by the 750 Motor Club. Competitors may be asked to temporarily swap there ECU for one supplied by the organisers, failure to comply will result in disqualification.

The VVT mechanism must remain connected and fully working at all times.

8. Fuel delivery systems:

A low-pressure fuel pump should be fitted together with a high-pressure fuel pump and swirl pot arrangement connected to the unmodified BP-Z3 fuel rail. A GBS 3bar fuel pressure regulator (see appendix) must be fitted inline directly before the fuel rail. This must remain unmodified and pressure testing may be undertaken to ensure that the fuel pressure does not exceed 3bar.

9. Lubrication System:

The standard BP-Z3 sump, oil pump and oil pickup must remain unmodified, however an aftermarket sump baffle may be used. Sump guards are permitted.

7.8: SUSPENSIONS:

1. Permitted modifications:

The original type of suspension system must be retained and should be: -



Front: Unequal length wishbones with suspension pick-up points to the dimensions in Diagram 3, Appendix 6 of these regulations. The bushes for the inboard end of the wishbone must be either bonded rubber (Metalastic type), or 'plastic' non metallic. Springing may be only by coil spring damper units (coil over dampers). No additional springing medium is permitted. Dampers constructed of steel or alloy (including the mounting eyes) with internal reservoirs may be used and if adjustable, only have a single adjustment. Dampers may use rose or spherical joints at each end. The longitudinal positioning of either the top or bottom front suspension pick-up points on the chassis may be adjusted to provide the correct castor, if required. Also the wishbone chassis brackets may be wider to allow caster adjustment. The upright and hubs must be from Ford Cortina Mk III, IV or V. An anti-roll bar may be fitted but must be one-piece and use only one link at either end to connect to the suspension.

Rear: Escort Mk1 or 2 live rear axle located by upper and lower trailing arms each side combined with a 'Panhard' rod. The chassis pick up points for the rear radius rods must retain the longitudinal position specified in the book but may be moved vertically to either 4.3" or 5.75" apart; it is recommended that the radius rods should be kept parallel. The bushes for the ends of the trailing arms must be either bonded rubber (Metalastic type) or plastic.

Springing may be only by coil spring damper units (coil over dampers), no additional springing medium is permitted, constructed of steel or alloy (including the mounting eyes) with internal reservoirs may be used and if adjustable, only have a single adjustment. For the Panhard Rod one "Rose-joint" may be used but only at one end. 'Plastic non metallic' suspension bushes may be used. The chassis bracket for the panhard rod may have an alternative vertical pick-up point. This is to allow the panhard rod to be parallel with the ground. An anti-roll bar may be fitted but must be one-piece and use only one link at either end to connect to the suspension.

2. Prohibited modifications:

No controls which could allow adjustment of anti-roll bars by the driver whilst normally seated are permitted. The use of spherical rod ends and rose joints is prohibited other than for one end of the 'Panhard' Rod and the anti-roll bar links. The use of anti-roll bars consisting of more than one torsion element is prohibited. Modifications to suspension pickup points other than those permitted in 5.8.1 are prohibited.

3. Wheelbase/track:

Wheelbase must be to the original dimensions. The maximum permitted track is 1610mm. This measurement is taken between the outer most point of each front tyre at the point where the tyre makes contact with the ground.

7.9: TRANSMISSIONS:

The gearbox must be a manual 5 speed Mazda MX5 unit from any Mk1, M2 or Mk2.5 model, unmodified and with the following ratios.

1st	3.136
2nd	1.888
3rd	1.330
4th	1.000
5th	0.814

A standard or standard pattern Mk2.5 VVT clutch must be used. Clutch

operation may be via hydraulic or cable operation. The propshaft must be of steel construction, suitable units are available from GBS (see appendix.)

1. Permitted modifications:

A 'quick shift' gear linkage may be fitted.

2. Prohibited modifications:

Four wheel drive is not permitted. Rose joints or spherical rod ends are not permitted in any transmission locating linkages with the exception of that detailed in 5.8.1. Any form of traction control is not permitted.

3. Final Drive ratios:

The final drive ratio and differential must use genuine series-production FoMoCo parts; optional Ford Motorsport final drive ratios, differential units or specialist competition parts are not permitted. The only permitted final drive ratios are 3.9:1 or 3.89:1 Limited slip, locked, torque-biasing differentials or similar are not permitted.

7.10: ELECTRICS

1. Exterior Lighting: Brake warning lights must be operational and operated only by the brake pedal without a delay. Headlights if fitted must be a minimum diameter of 5¾". The front headlights, front and rear side lights and front and rear indicators may be removed as per MOTORSPORT UK J 5.14.3 & J 5.14.4.

2. Rear Warning Light: An LED rear fog light to EU regulation 7, an FIA homologated LED rear warning light, or an LED stop light to EU regulation 38 is mandatory and must be mounted directly to the rear or the underside of the rear roll hoop, within 10cms of the centreline of the vehicle. Any manufacturer fitted rear fog light must not be switched on unless it complies fully with this regulation.

3. Batteries: A battery and starter motor capable of repetitive starts must be fitted and operable by the driver whilst normally seated.

4. Generators: A fully working alternator from a Mk1 Mazda MX5 must be fitted and electrically connected so that the standard battery charging function is providing a charge to the onboard battery. The alternator/generator must be located in the standard position. Alternative mounting brackets may be used.

7.11: BRAKES

A: Rear brakes may be either FoMoCo drum brakes from a 'Kent' engined Cortina, Capri or Escort (brake lining material is free.) Or, alternatively single piece cast iron discs with a maximum diameter of 249mm used. Discs may be grooved, vented and cross drilled. Only callipers cast iron sliding or two piston brake callipers may be used.

B: Front brakes must be standard Cortina cast iron discs from a 'Kent' engined Escort, Cortina or Capri with a maximum diameter of 249mm. Discs may be grooved, vented and cross drilled. Callipers must be of cast iron construction from a Ford Cortina however these may be modified in order to accept thicker vented brake discs. Pad material is free, though carbon-fibre is prohibited Brake hoses are free.

C: A handbrake mechanism must be fitted. It shall operate on both rear wheels and be capable of resisting movement (forwards and backwards) when tested by a Scrutineer on flat level dry surface. This may be either cable operated or work using a hydraulic handbrake assembly acting in the rear brake line.

1. Permitted Modifications:

The friction face of the brake drum may be reclaimed by simple machining within manufacturer's repair tolerances. Pedal box and master cylinder/s are free. An adjustable bias valve may be fitted.



2. Prohibited Modifications:

ABS systems are prohibited. The use of brake drums which are modified in any way other than that permitted in 5.11.1 is prohibited.

7.12: WHEELS / STEERING

- 1. Permitted Options:** Steering rack must be from a Ford Escort Mk1 or Mk2; ratio of the rack is free. Steering rack mounts may be strengthened and rubber bushes replaced with different materials. Steering arm extensions are not permitted.
- 2. Prohibited Options.** No other modifications are permitted including the fitment of any 'wheel trims' or similar air deflectors.
- 3. Construction & Materials:** WHEELS: Steel or **one piece** aluminium-alloy.
- 4. Dimensions:** Maximum width 6". Diameter 13".

7.13: TYRES

- 1. Specifications:** The only permitted tyres are the Yokohama A048R sized at 185/60 x 13 and the Yokohama A539 in 185/60 x 13. No alteration to the tyre from the manufacturer's specification is permitted. Re-cutting, re-grooving or in any other way modifying the tread pattern is not permitted. All the manufacturer's data must be clearly visible. Buffing of sidewalls to remove data is prohibited. Tyres must be to MOT requirements in every respect. The use of tyre heating/heat retention devices, tyre treatments and compounds is prohibited.
- 2. Nominated Manufacturers:** Yokohama

7.14: VEHICLE WEIGHT:

Minimum weight including driver and race overalls, helmet etc. is 665 kilos.

7.15: FUEL TANK / FUEL

- 1. Types:** Fuel tanks are free but safety tanks are recommended. A non-return valve must be incorporated in the vent system.
- 2. Locations:** Free within the area behind the rear bulkhead. Chassis or bulkhead may not be modified to allow fitment of the tank (it is recommended fuel tanks are not mounted directly to the aluminium rear bulkhead panel as this may contravene Q19.1.1 The exception to this is to allow the addition of brackets to the chassis for the mounting of the fuel tank. On safety grounds none of the fuel filler pipework, the filler cap or associated fittings may be attached to the external bodywork.
- 3. Fuel:** Only petrol as defined in Section B Nomenclature & Definitions, Pump Fuel a) section of the MOTORSPORT UK Yearbook for the current year and complying with BSEN228 may be used; fuel which exceeds the stated RON (max) levels in Appendix 1 of Section B Nomenclature & Definitions is prohibited even if it is sold/promoted as being legal for UK Competition and/or obtainable from 'roadside' pumps. The use of additives by competitors which boost the octane rating (RON) in any petrol is prohibited. At the end of practice and the race at least 3 litres of petrol from the tank of the competing car must be available to the scrutineers for analysis. Compliance with minimum weight for the car will be taken before the petrol is removed.

7.16: SILENCING:

All vehicles must comply with the relevant maximum noise limits set out in MOTORSPORT UK Blue Book regulation J. Chart 5.18.

7.17: NUMBERS & SERIES DECALS

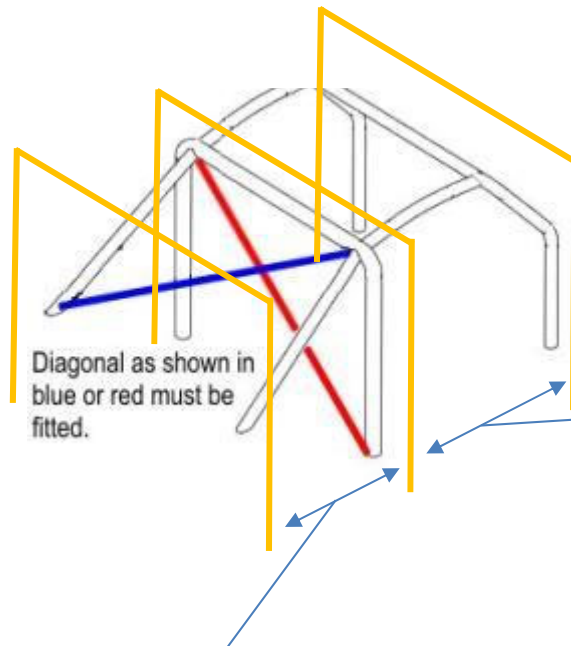
- 1. Positions:** Race numbers must be displayed on each side of the vehicle alongside the cockpit/driver and as far forward on the front of the vehicle as possible. 750 Motor Club decals must be affixed prominently near all number backgrounds. Series Sponsor's decals

(where applicable) must be affixed in or near the positions detailed on any diagram supplied with those decals. No decals may be affixed to the aeroscreen. 750 Motor Club and Series Sponsor's decals must take preference to any other decals. Failure to comply will render the vehicle and driver ineligible to race.

- 2. Suppliers:** Sponsors and Club decals will be available at the first Series race in which the vehicle is entered.

7.18 APPENDICES – DIAGRAMS AND MANDATORY PARTS LIST

Diagram 1 – ROPS guidance notes if no ROPS certificate exists for a given cage design.



Front section of Roll cage not covered by ROPS but is a mandatory requirement for class regulations.
 Tube sizes (Including side impact bar(s)) to be diameter 38mm x 2.5 (1.5" x 0.095") or 40mm x 2.0 (1.6" x 0.083") or larger.
 (See MOTORSPORT UK Blue Book Section K for Material specification and further details)

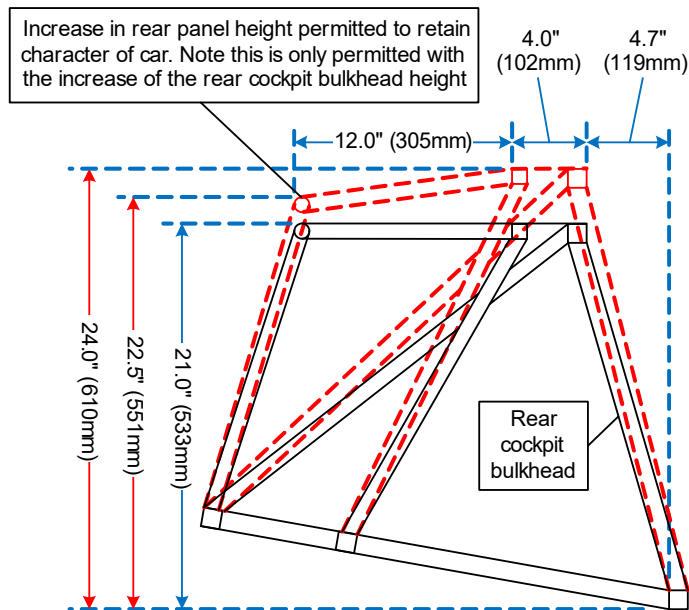
Rear section of Roll cage must meet MOTORSPORT UK Regulations (See Section K)
 Tube to be diameter 45mm x 2.5 (1.75" x 0.095") or 50mm x 2.0 (2.0" x 0.083")
 Rear stays at 30 degrees to the vertical, with steel reinforcement plate at least 3mm thick and of at least 120cm² area at the point of attachment to the chassis.
 (See MOTORSPORT UK Blue Book Section K for Material specification and further details)

Note:- For any MOTORSPORT UK ROPS Certified systems please ensure Valid Certification for the class (e.g. Ma7da) and Certificate label attached in correct position as defined by the ROP's Certification documentation.

Contact 750MC Chief Scrutineer for any clarification on MOTORSPORT UK ROPS requirements



Diagram 2

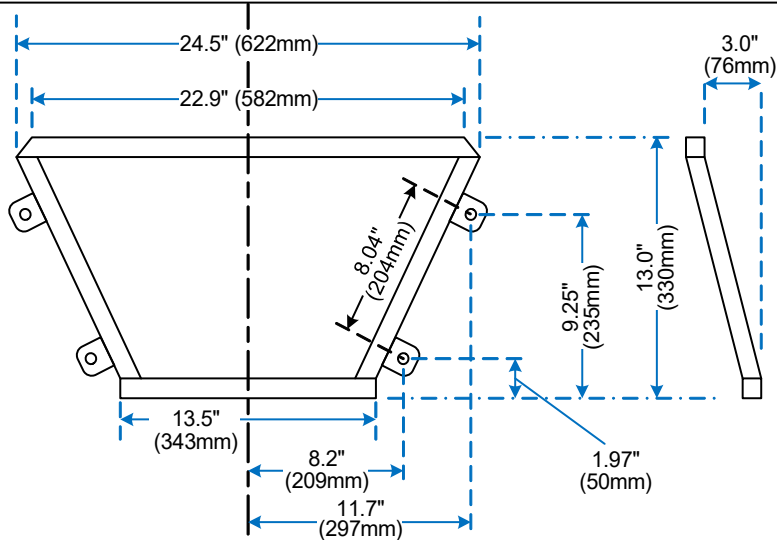


To achieve SVA Compliant Upper Seat Belt mountings it is permitted to increase the height of the rear cockpit bulkhead.

Standard shown —
 Maximum alternative height shown - - -

Diagram 4

Top drawing is Front chassis frame and location of the suspension mounting brackets (As standard). Alternative dimensions for the suspension mounting brackets may be used but must conform to the dimensions shown in the lower diagram. (Tolerance +/-15mm unless otherwise stated on drawings)



- | | |
|---|-------------|
| A: Inner lower pickup to underside of Chassis | 65mm ±20mm |
| B: Inner upper pickup to underside of Chassis | 245mm ±20mm |
| Distance between:- | |
| C: Inner lower pickups | 420mm ±40mm |
| D: Inner upper pickups | 600mm ±40mm |

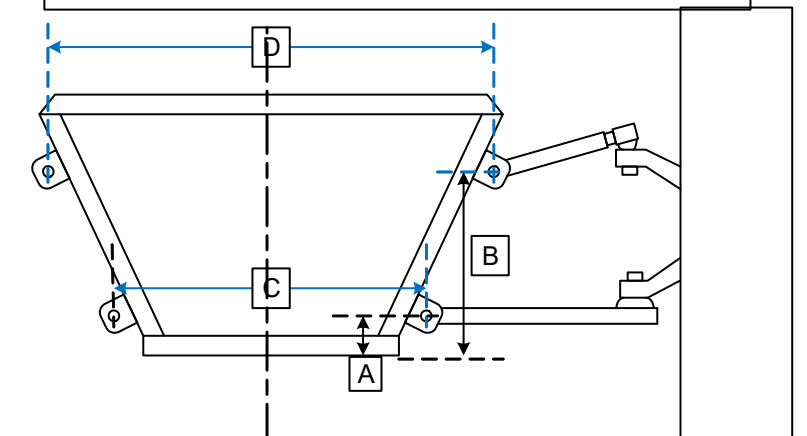
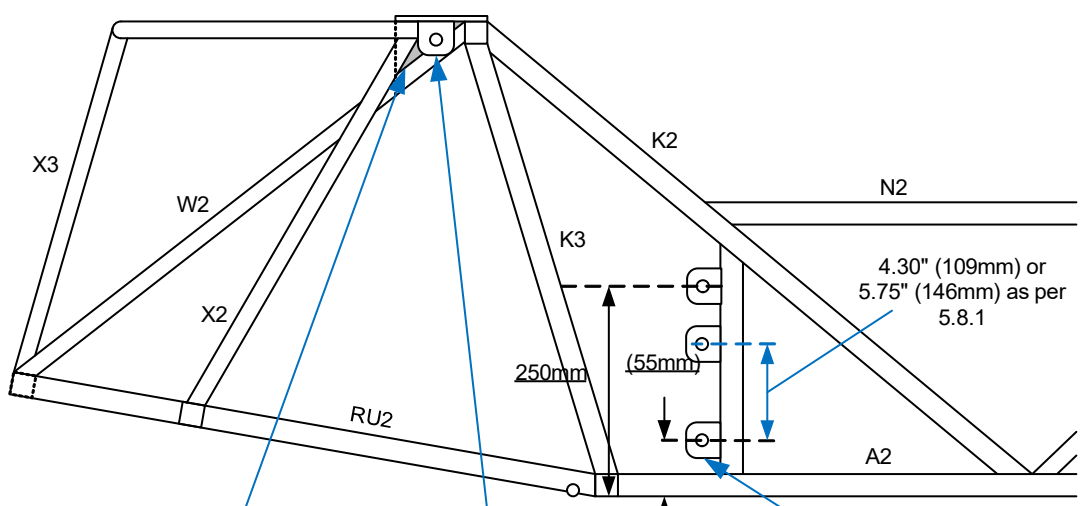


Diagram 5

Position of rear suspension mounting brackets
(Positioning tolerance +/- 5mm)



16 swg (minimum) strengthening fillets to be added after upper mounting for the damper

Upper damper mounting

Rear trailing arm brackets/holes may be moved vertically as per 5.8.1
Trailing arms may be positioned within the limits noted here with the lowest hole center 55mm from the chassis underside and top hole center max 250mm from the chassis underside. Positioning between these dimensions is 'Free' but spacing between trailing arms recommended to be kept the arms parallel.

Alternative rear suspension mounting bracket

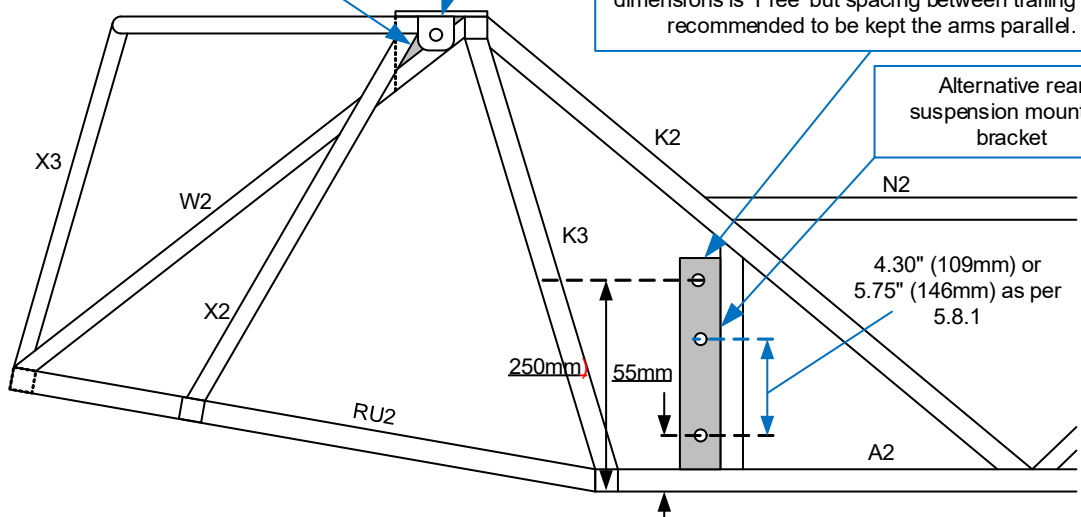
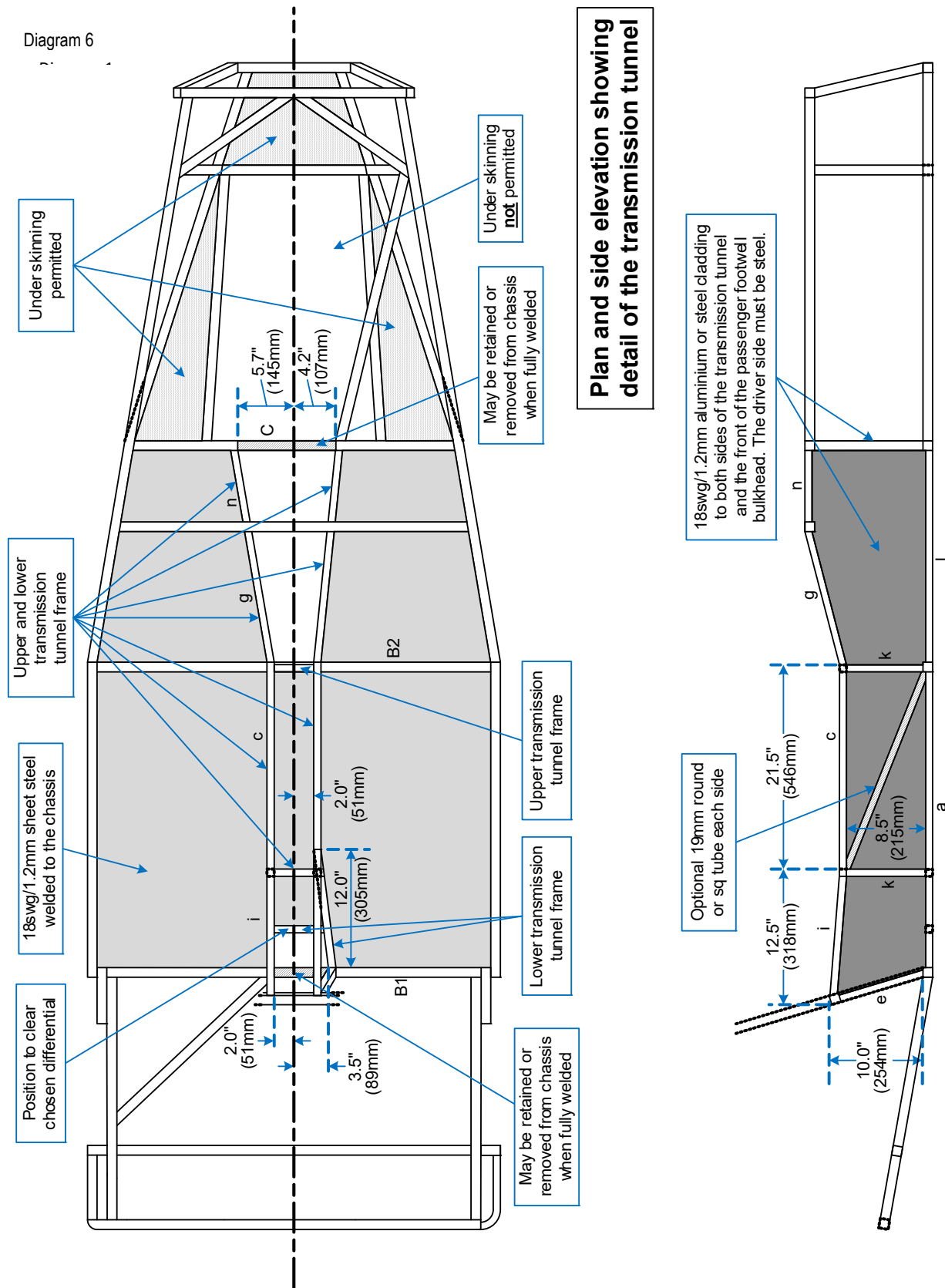


Diagram 6





Front and Rear Wings

Mandatory & Optional Parts List

Mandatory Parts	Price (all + VAT)	Part Number	Supplier	Contact
Ma7da Exhaust Manifold	£165.50	EXH0095	KitSpares	01623 860990
Ma7da Catalytic Converter	£141.06	EXH0096	KitSpares	01623 860990
Ma7da Inlet Plenum	£196.45	ENG0254	KitSpares	01623 860990
Ma7da Restrictor Plate	£40.00	ENG0255	KitSpares	01623 860990
Ma7da Fuel Pressure Regulator	£76.41	FUE0174	KitSpares	01623 860990
Ma7da Control Parts Kit (all of the above)	£590.00	PAC0001	KitSpares	01623 860990
Separator				
Emerald ECU & Lambda Sensor Kit	£570.00	750MCEME	750 Motor Club	01332 814548
Separator				
Optional Parts	Price		Supplier	Contact
Engine/Emerald Wiring Loom	£345.00	ELC0314	KitSpares	01623 860990
Cone Air Filter	£32.95	ENG0031	KitSpares	01623 860990
Propshaft	From £204	TRA0149	KitSpares	01623 860990
Engine Mount Kit	£79.80	ENG0091	KitSpares	01623 860990
Gearbox Mount Kit	£24.00	TRA0036	KitSpares	01623 860990
High Pressure Fuel Pump	£55.00	FUE0011	KitSpares	01623 860990
High Pressure Fuel Line and Clips Kit	£42.50	FUE0007	KitSpares	01623 860990
Swirl Pot	£80.00	FUE0017	KitSpares	01623 860990
Throttle Cable	£24.96	CAB0006	KitSpares	01623 860990
Alloy Radiator	£259.95	CST0259	KitSpares	01623 860990
Silencer	£245.83	EXH0015	KitSpares	01623 860990



APPENDIX C: Designated Rolling Road Centres

**Marlin Motor Engineers
(Milton Keynes)**
Unit 4-5 Wellington Place
Bletchley
Milton Keynes
Buckinghamshire
MK3 5NA
Tel: 01908 366256

**TI Motorsport
(Stoke)**
TI Motorsport LTD
Tegiwa House
Sutherland Road
ST3 1HZ
Tel: 01782 950315

**Revivals
(Duxford)**
Revivals Garage
Lodge Road
Thriplow, Royston
Herts
SG8 7RN
Tel: 01763 208043

**Alive Tuning
(Louth)**
Unit 1 & 2
Meridien Centre
Belvoir Way
Fairfield Industrial Est.
Louth
Lincolnshire
LN11 0LQ
Tel: 01472 812900

750 Motor Club (Mobile Dyno)
Donington Park
Castle Donington
Derbyshire
DE74 2RP

Star Performance (Kirkcaldy)
Unit 1D Frances Industrial Park
Wemyss Road
Dysart
Kirkcaldy
Fife
KY1 2XZ
Tel: 01592 655595