



## 1: SPORTING REGULATIONS - GENERAL

### 1.1: TITLE & JURISDICTION:

The **Ma7da Series** is organised and administered by the 750 Motor Club Ltd in accordance with the General Regulations of Motorsport UK (incorporating the provisions of the International Sporting Code of the FIA) and these Series Regulations.

- MOTORSPORT UK Series Permit No: RS2020/029**
- MOTORSPORT UK Series Grade:** N/A.
- Race Status:** Interclub / National.

### 1.2: OFFICIALS:

**1. Co-Ordinator:** G.Groombridge, Donington Park, Castle Donington, Derbyshire, DE74 2RP

☎ 01332 814548; ✉ [giles@750mc.co.uk](mailto:giles@750mc.co.uk).

**2. Eligibility Scrutineer:** B. Blackmore

**3. Series Stewards:**

R.Knight                      T. Gregory                      I.Sowman

### 1.3: COMPETITOR ELIGIBILITY:

- Entrants must:
  - be fully paid up valid membership card holding members of the 750 Motor Club and
  - be Registered for the Series and
  - be in possession of a valid MOTORSPORT UK Entrants Licences.
- Drivers and Entrant/Drivers must:
  - Be current Members of the 750 Motor Club and
  - be Registered for the Series and
  - be in possession of valid Competition (Racing) Interclub Licence, as a minimum
  - Or be in possession of the highest grade of national Race licence or valid FIA International Licence, together with their ASN's written consent ((H)26.2. and FIA ISC Article 2.3.7.b applies)
  - If participation in the Series requires absence from education a driver, in full time school education is required to have the approval of their head teacher and a letter stating such approval from their school in order to fulfil registration for the Series. A driver shall not take time out of their education to participate in motor sport without the prior written approval of their education establishment.
- All necessary documentation must be presented for checking at all rounds when signing-on.

### 1.4: REGISTRATION:

- All competitors must register for the series by returning the Registration Form with the Registration Fee to the Series Co-Ordinator, prior to the Final Closing date for the first round being entered.
- The Registration Fee is £90 payable upon registration.
- Registration numbers will be the permanent Competition number for the Series.

### 1.5: SERIES ROUNDS:

The **Ma7da Series** will be contested over the following rounds:

| Date      | Circuit           | Round/s |
|-----------|-------------------|---------|
| 3 May     | Cadwell Park      | 2       |
| 30/31 May | Donington Park    | 2       |
| 14 June   | Anglesey          | 2       |
| 19 July   | Snetterton 200    | 2       |
| 15 August | Brands Hatch Indy | 2       |
| 4 October | Mallory Park      | 2       |

### 1.6: SCORING:

**Being a non-Series series of races, no points are awarded.**

### 1.7: AWARDS:

- All awards are to be provided by the Organising Club unless agreed otherwise.
- Per Round: Trophies to 1st, 2nd and 3rd.
- Series: N/A
- Presentations: Awards will be presented at the end of each event.
- Entertainment Tax Liability: {deleted}
- If Provisional Results or Series Tables are revised after any presentations and these revisions affect the distribution of awards the Competitors concerned must return them to the organisers in good condition within 7 days.

## 2: SERIES EVENT MEETINGS & RACE PROCEDURES

### 1. ENTRIES:

- Competitors are responsible for sending in correct and complete entries with the correct entry fee prior to the closing date for entries before each event.
- Incorrect or incomplete entries (Including Driver to be Nominated Entries) are to be held in abeyance until they are complete and correct and the date of receipt for acceptance of entry purposes shall be the date on which the Meeting Organiser receives the missing or corrected information or fee.
- Any withdrawal of Entry or Driver/Car changes made after acceptance of any entry must be notified to the Meeting Organisers in writing. D25.1.12. applies.
- The Entry Fee for each event shall be specified in the SRs and on the entry form.
- Reserves will be listed in the Final List of Entries published with Final Instructions or in a Bulletin.

**2. BRIEFINGS:** Organisers should notify Competitors of the times and locations for all briefings in the Final Instructions for the meetings. Competitors must attend all briefings.

### 3. QUALIFICATION PRACTICE:

- Should any Practice session be disrupted the Clerk of the Course shall not be obliged to resume or re-run the session; the decision of the Clerk of the Course shall be final.
- Each driver shall complete a minimum of 3 laps in the car to be raced, and in the correct session, in order to qualify (MOTORSPORT UK Regulations Q4.5).
- At Double Header Race Meetings the grid for the second race will be set from the second fastest practice times.

**4. RACES:** Should any race be disrupted the Clerk of the Course shall not be obliged to resume or rerun the race ((Q)5.4.) (1.6.4. above applies)

### 5. STARTS:

- All cars will be released to form up on the grid prior to the start in formation as specified on the grid sheet.
- The start will be via Standing start. The minimum Countdown procedures/audible warnings sequence shall be:-
  - 1 minute to start of Green Flag/Pace Lap - Start Engines/Clear Grid.
  - 30 Seconds - Visible and audible warning for start of Green Flag/Pace Lap.
  - A five second board will be used to indicate that the grid is complete.
  - The red lights will be switched on five seconds after the board is withdrawn.
- Any car removed from the grid after the 1 minute stage or driven into the pits on the Green Flag lap shall be held in the pitlane and may start the race after the last car has passed the startline or pitlane exit, whichever is the later to take the start from the grid.



4. Any driver unable to start the Green Flag/Pace lap or start are required to indicate their situation as per MOTORSPORT UK Regulation (Q)12.13.2. In addition any driver unable to maintain grid positions on the Green Flag Lap, to the extent that ALL other cars are ahead of them, may complete the Green Flag lap but MUST remain at the rear of the last row of the grid but ahead of any cars to be started with a time delay.

5. In the event of any starting lights failure the Starter will revert to use of the National Flag.

**6. SESSION RED FLAG:** Should the need arise to stop any race or practice, RED LIGHTS will be switched on at the Startline and RED FLAGS will be displayed at the Startline and at all Marshals Signalling Points around the Circuit. This is the signal for all drivers to cease circulating at racing speeds, to slow to a safe and reasonable pace and to return to the pit lane, during practice, and to the starting grid area, during a race, unless otherwise directed by officials. Cars may not enter the Pits unless directed to do so. Work on cars already in the Pits must cease when a race is stopped.

#### **7. PITS, PADDOCK & PITLANE SAFETY:**

- 1 Pits & Paddock: Competitors must ensure that the MOTORSPORT UK, Circuit Management and Organising Club Safety Regulations are complied with at all times.
2. Pitlane: The outer lane or lanes are to be kept unobstructed to allow safe passage of cars at all times. The onus shall be on all Drivers to take all due care and respect the pit lane speed limits.
3. Refuelling: May only be carried out in accordance with the MOTORSPORT UK General Regulations, the Organising Club Regulations, Circuit Management Regulations and the SRs or Final Instructions issued for each Circuit/Meeting.
4. Speed Limit: Pit Lane Speed Limit will be 60 km/h.

**8. RACE FINISHES:** After taking the Chequered Flag drivers are required to:

- I. progressively and safely slow down
- II. remain behind any competitors ahead of them,
- III. return to the Pit Lane Entrance/Paddock Entrance as instructed,
- IV. comply with any directions given by Marshals or Officials
- V. keep their helmets on and harnesses done up while on the circuit or in the pitlane.

**9. RESULTS:** All Practice Timesheets, Grids, Race Results are to be deemed Provisional until all vehicles are released by Scrutineers after Post Practice/Race Scrutineering and/or after completion of any Judicial or Technical Procedures. (MOTORSPORT UK regulation (D)26.3.)

**10. TIMING MODULES:** The 750 Motor Club utilises AMB transponder-based timing and competitors must have a compatible transponder fitted and working and advise the race organisers of its number prior to the event. The transponder is a TRANX 260 or MyLaps X2.

**11. QUALIFICATION RACES:** If any event is oversubscribed the Organising Club may at their discretion run Qualification Races.

**12. OPERATION OF SAFETY CAR:** The Safety Car will be brought into operation and run in accordance with Section Q, Appendix 2 of the MOTORSPORT UK General Regulations.

**13. ONBOARD CAMERAS:** All competitors are required to carry an on board, in car camera that records to an SD (or micro-SD) card that must be capable of recording HD footage that can be played back on a standard laptop. Recordings from the cameras may be used where there is an incident which is subsequently brought before the Clerk of the Course for investigation.

It is the competitor's sole responsibility to ensure safe installation and effective operation of the camera equipment. At all times cameras must

be fitted in accordance with MOTORSPORT UK regulations and be approved by the Chief Scrutineer in accordance with J.5.21  
Cameras must be mounted in a position such that the steering wheel and track in clear view. The unit must always be switched on and be recording when the car is on track during any official free practice, qualification session and race.

The onus is on the competitor to ensure that the camera unit battery is charged, the camera switched on to record and manage the storage to ensure enough space is available on which to record during the above-mentioned sessions.

In the event that no recording is available when requested by the Organisers or Clerk of the Course for judicial purposes then the following penalties will be applied by the Clerk of the Course.

- a. First offence – Formal Reprimand
- b. 4 place grid drop at the next race.
- c. Disqualification.

### **3: SPECIFIC SERIES REGULATIONS**

1. In the event of any rounds being oversubscribed the Organising Club may, in liaison with the Series Coordinator, at their discretion run Qualification races as per 2.11 of these regulations. Alternatively, at double header race meetings, should there be sufficient space within the timetable, the Organising Club may divide the grid after qualifying into 3 separate Groups. The Groups will then form 3 races whereby each competitor participates in two races. All 3 races will be eligible for full series points.

At each Round of the series Race 1 grid positions will be determined by each competitor fastest lap time in Qualifying. At double header meetings, the grid positions for Race 2 will be determined by second fastest qualifying times.

2. The Championship co-ordinator reserves the right to request the fitting of a 750MC owned data logging system to any car prior to competition, and the right to run the car on the Club's rolling road at any time. Failure to comply will result in disqualification.

### **4: SPECIFIC SERIES PENALTIES:**

**In accordance with Section C of the current MOTORSPORT UK Yearbook**

#### **4.1: INFRINGEMENT OF TECHNICAL REGULATIONS:**

1. Arising from post practice Scrutineering or Judicial Action:  
Minimum Penalty: The provisions of MOTORSPORT UK Regulations: C3.3.
2. Arising from post race Scrutineering or Judicial Action: Minimum Penalty: The provisions of MOTORSPORT UK Regulations: C3.5.1 (a) and (b).

For infringements deemed to be of a more serious nature the Clerk of the Course will invoke the provisions of Regulation C3.5.1 (c).

#### **4.2: ADDITIONAL SPECIFIC SERIES PENALTIES:**

1. In the case of a driver being excluded from a race, the Clerk of Course will impose the penalties set out in MOTORSPORT UK Regulation C3.5.1 a & b and may impose the penalty set out in MOTORSPORT UK Regulation C3.5.1 c.
2. In order to maintain standards of conduct, the Series Organisers will monitor all Officials/Observers reports of adverse behaviour at race meetings. If any individual is included on two such reports during one racing season the Series Organisers will request the Clerk of Course at future race meetings to consider specific observation of that driver's conduct.
3. The Clerk of Course may impose a "Stop-Go" or "Drive through" penalty during a race in accordance with MOTORSPORT UK Regulation Q.12.6.

**4.** Any Competitor who is penalized under the Series Sporting Regulations at any stage of a Series event and receives an allocation of penalty points on their race license in accordance with MOTORSPORT UK Regulations, will receive a grid slot penalty at the next round in which they compete following the allocation of penalty points, equal to the number of penalty points which were allocated. Double headers will be considered as two separate rounds; however if the decision to allocate penalty points is delayed such that further round/s of the Series have taken place since the offence, the grid slot penalty will be implemented at the next round in which they compete after the allocation of the penalty points.

The penalty will mean that a Competitor will be moved back grid slot places from their grid position (e.g. if a Competitor with a three grid slot penalty had a qualifying time that was good enough for pole position then the Competitor will start fourth on the grid). If for any reason the imposition of this grid penalty is impractical (such as the competitors qualifying time, starting from the pit lane etc.) or the offence occurs at the final meeting of the season, a time penalty of 5 seconds will be added to the elapsed time of the Competitor.

**5.** Series Stewards are also empowered to consider any request from the Series co-ordinator to penalize any Competitor for any breach of Series regulations and, after holding a formal hearing if they deem it necessary, to impose a penalty in accordance with MOTORSPORT UK Regulation C.2.1.1 (subject to the rights of appeal provided for in Section C.)

**6.** One or more of the following may be imposed by the Series Stewards as appropriate;

- a) Reprimand
- b) Fine. The may be also applied in the case of a driver receiving three reprimands from the Series Stewards in one season.
- c) C) Time or Grid Penalties
- d) D) Suspension from all or part of the Series. This may also be applied in the case of a driver receiving two fines from the Series Stewards in one season.

## 5: TECHNICAL REGULATIONS

### 5.1: INTRODUCTION:

The following Technical Regulations are set out in accordance with the MOTORSPORT UK specified format and it should be clearly understood that if the following texts do not clearly specify that you can do it, you must work on the principle that you cannot. The fact that some modifications are mentioned as prohibited does not imply that others are allowed. The Ma7da Series is not a Development Formula.

**A) STANDARD:** The word 'standard' used within these technical regulations as a description of components is to be interpreted as per 'Standard Part' defined in Section B – Nomenclature & definitions in the MOTORSPORT UK Blue Book. Checking will be by comparison to spare parts supplied by the manufacturer's official agent or by any other means necessary to ensure compliance.

**B) STANDARD PATTERN:** The phrase 'standard pattern' used within these technical regulations as a description of components is to be interpreted as per 'Standard Part' defined in Section B – Nomenclature & definitions in the MOTORSPORT UK Blue Book. Checking will be by comparison to spare parts supplied by the manufacturer's official agent or by any other means necessary to ensure compliance.

### 5.2: GENERAL DESCRIPTION:

The **MA7DA SERIES** is for Competitors participating in cars built to these regulations and the chassis specifications outlined in the book "Build Your Own Sports Car" written by Ron Champion. All cars will run in one class.

### 5.3: SAFETY REQUIREMENTS:

All cars must comply with the technical regulations listed in the MOTORSPORT UK Year Book sections J & Q, and with the safety

requirements listed in section K. Rollcage: A six-point cage as per Diagram 1 in appendix 6 of these regulations, with reference to K1.6.1, is compulsory; optional reinforcing members such as those detailed in MOTORSPORT UK Year Book section K Drawing 12 may be fitted but none may extend forward of the front roll hoop; a diagonal brace/s within the top of the rollcage as per section K drawing 10 is recommended. Side-intrusion bars are strongly recommended to be fitted external to the chassis but may not extend further forward than the front of the driver footwell; they should be constructed using tubes of the same material and dimensions as the main cage and should be fitted by a roll cage manufacturer. Particular care should be taken in selecting the mounting positions for the 'feet' of the cage, with reference to MOTORSPORT UK Year Book section K drawings 13 to 20. It is important that the roll cage is attached to the vehicle in such a way as to distribute the forces over the largest possible surface. It is not sufficient to attach the cage to a tube which is not supported vertically. Cages should be designed to form extensions to the chassis itself and not merely as attached components. Extinguishers must comply with MOTORSPORT UK regulation K 3.1.2 a). Seat belts must be FIA homologated and as per K2.1.2, 2.1.3. or 2.1.4. Further reference should be made to K5 – K6 and K8 – K14.

Cars with cages that do not comply with the technical regulations listed in the current MOTORSPORT UK Year Book sections J & Q and with the safety requirements listed in section K; must be in possession of a valid ROPS certificate and display the manufacturers identification.

### 5.4: GENERAL TECHNICAL REQUIREMENTS & EXCEPTIONS:

All cars must comply with the requirements of sections J and Q19 of the current MOTORSPORT UK Yearbook. All vehicles must comply with MOT requirements (with the exception of front headlights, front & rear side lights and front & rear indicators, rear reflectors, horn, emissions & rear fog light), be of sound construction and mechanical condition and be well maintained. Cars must be presented to a high standard. Unrepaired damage or cars not achieving a satisfactory level of preparation as judged by the Series scrutineers may receive a warning and may ultimately result in exclusion. Presentation of a vehicle for scrutineering is a declaration by the entrant/driver that the vehicle is eligible for that event and fully complies with the Series regulations. There is no requirement for an MOT Certificate, Road Tax or Insurance. As a minimum, two mirrors must be fitted, each with a minimum surface area of 50 sq. cms and giving a clear view to the rear, one on each side of the centreline of the vehicle.

### 5.5: CHASSIS:

Chassis must remain identical to original in terms of material construction and dimensions. However, it is permitted to add an engine bay diagonal (line A) to mirror that on the driver's side and two bracing bars (lines B & C) between the cockpit sides and the junction of the dashboard top/transmission tunnel as per the drawings in Appendix 6 of these regulations; a permitted alternative rear bulkhead drawing is also shown in Appendix 6. It is also permitted to add a transverse bracing tube to the lower chassis in the footwell area as per the drawings in Appendix 6. **It is also permitted to retain chassis members C & B1 uncut as per the drawings in Appendix 6.** Towing Eyes with a minimum internal diameter of 60mm, as detailed in Q19.1.3 must be fitted, front & rear, no higher than 18" from ground level; any metal portion of the towing eyes must be within the overall periphery of the vehicle and may be extended by means of a suitable flexible strap. A propshaft restraint must be fitted in accordance with MOTORSPORT UK regulation K12. The area below the cockpit must have a steel floor of at least 18swg/1.2mm which must be substantially welded to the chassis as per Diagram 6 in the Appendix to these regulations. Aluminium under-skinning of the area behind the cockpit is permitted within the plan profile of the chassis and may not be extended

beyond that profile. There must be drainage holes to prevent the accumulation of liquids. No edges of any part of any under-skinning may extend downwards beyond the silhouette of the chassis. It is permitted to strengthen the steering rack mounts. It is recommended that all tube ends are sealed to prevent corrosion.

**MATERIALS:** Minimum thickness of:- chassis tubing = 16swg/1.5mm; steel floor = 18swg/1.2mm; aluminium panelling = 18swg/1.2mm. It is permitted to panel the transmission tunnel in 16/18swg aluminium as an alternative to steel. Spacing of rivets is free.

### 1. Modifications Permitted:

Bottom chassis member "C" in Diagram 6 (see appendix) may be removed and may be reinstated via a bolt on brace or chassis member. The top horizontal section of transmission tunnel directly above chassis member "B2" in Diagram 6 (see appendix) may be relocated towards the front of the vehicle by up to 80mm in order to allow for gear linkage clearance. A gearbox mount with a maximum cross-sectional area of 100sqcm may be welded or bolted to the chassis where appropriate.

### 1. Modifications Prohibited:

Anything in contravention of 5.5.1

### 5.6: BODYWORK:

Front and Rear Wings Material: Fibreglass traditional style as shown in photo in section 6 of these regulations. Solid Surface with no aerodynamic devices either attached or moulded in. Rear Panel Material: Aluminium or glass fibre with solid surface. Scuttle Material: Fibreglass, aluminium or steel. Bonnet Material: Aluminium or fibreglass. Nose cone Material: Fibreglass. Side Panels Material: Aluminium. The side panels must be fitted directly on to the chassis top and bottom side rails.

### 1. Modifications Permitted:

**1. General:** Bodywork must remain unaltered, subject to 5.6.1.4

**2. Interior:** Only a fire extinguisher, a battery, **Handbrake Lever with Cable(s) or hydraulic lines**, additional ballast (retained safely to Motorsport UK blue book minimum fastening) and any rollbar bracing may impinge upon passenger space. There must be a removable panel in the top of the driver's footwell which permits access for inspection of the brake pedal to master cylinder linkage.

**3. Exterior:** All parts of the engine and transmission must be fully enclosed within the bodywork. Air filters may protrude through the bonnet without the need for any cover but must have an effective seal between them and the bonnet. Any holes in the upper surface of the bodywork forward of the steering wheel plus any holes in the side surfaces of the bodywork forward of the steering wheel above a longitudinal line joining the top of the front and rear wheel rims, must be covered with solid bodywork having only a forward facing opening, forward facing louvers or with a metallic gauze with a maximum hole size of 1mm; vents may be fitted in the side surfaces of the bodywork forward of the engine bay/passenger compartment bulkhead and below a longitudinal line joining the top of the front and rear wheel rims. These vents are restricted to being fitted into an aperture in the bodywork of a maximum surface area of 430sq cms per side. Any vents must have a maximum protrusion of 25mm, rearward facing or covered by gauze. Holes solely for the exhaust system do not require any cover/gauze but must be a reasonably close fit. All vehicles must be fitted with a windscreen or an aeroscreen of minimum vertical height, measured at its attachment to the bodywork, of 75mm and a minimum width of 250mm. **The passenger space may be covered by a removable tonneau of soft flexible material or fibreglass fitted no**

**higher than the top edge of the bodywork. Fibreglass tonneaus must have a minimum vertical return depth of 40mm on the side adjacent to the driver and be protected with non-flammable padding as per Motorsport UK yearbook regulation (Q)19.2.3.**

**Fibreglass or flexible material side tonneaus/'half-doors' may be fitted, but must not extend vertically above the top of the scuttle panel.**

Soft-tops/hoods do not have to comply with silhouette ruling (4). Any car fitted with a soft-top or hardtop will be considered to be a closed car and must be fitted with a full width and height windscreen and rear screen. A front number plate or a solid mounting plate 525mm wide by 115mm high ( $\pm 5$ mm on both dimensions) mounted securely & permanently vertical at all times, under the front of the nosecone and complying with ride-height regulations is mandatory; competitors will be issued with Series decals to be affixed to the plate. For clarification of MOTORSPORT UK regulation J5.2.6, mudguards must present no sharp edges and cover the complete wheel (flange, tyre and rim) around a minimum arc of 120° measured from hub centre and must be a continuous surface of rigid material with no gaps holes slots or vents. The front edge of the mudguard must be ahead of the vertical hub centreline. The rear edge of the mudguard may not be more than 75mm above the hub horizontal centreline. (The Offside front Mudguard may have a flexible mud flap fitted for the sole purpose of deflecting water.)

**4. Bodywork:** Must remain unaltered 'Locost' bodywork with the exception of height of the scuttle and any "bulge" fitted to the bonnet in order to accommodate the Mazda engine. The bonnet must be solid with no cutouts, ducting or scoops. Rear facing vents up to a total maximum of 50sqcm cross sectional area may be fitted to the bonnet.

**5. Ground Clearance:** Under no circumstance can any part of the bodywork/chassis, or of the suspended part of the car with the exception of the exhaust system, the sump, sump guard and the bellhousing, be below a horizontal plane passing 75mm (60mm for the sump, exhaust system and the bellhousing) above the ground, the car being in normal racing trim with the driver aboard. Sump guards may be fitted with a minimum ground clearance of 50mm. The front and side edges must be affixed to the closest chassis members only. The rear edge of the sump guard must be a straight edge in plan view which must sit a minimum of 80mm from the forward-most part of the bellhousing casting, and it must be possible for at least 20mm length of the lowest part of the sump be to checked for height by means of a sliding gauge without the guard being removed. It is permitted to add shims to or modify the engine mountings in order to comply with these minimum heights. There is no minus tolerance to these measurements.

### 2. Modifications Prohibited:

**1. General:** Kevlar, carbon fibre and titanium materials are not permitted.

**2. Interior.** It is not permitted to mount the fuel tank/s within the passenger space.

**3. Exterior:** Aerofoils, spoilers and side pods are not permitted. No adjustable aerodynamic devices are permitted. Wheel arch extensions are not permitted. 'Under-skinning' of the chassis is prohibited with the exception of the areas detailed in 5.5

**4. Bodywork:** Modifications to the bodywork which the organisers or scrutineers deem may give an aerodynamic advantage are prohibited:

**5. Ground Clearance:** Side skirts or bridging devices are not permitted.

### 5.7: ENGINE:



The only permitted engine is the Mazda BP-Z3 1.8i VVT engine (produced from 2001 to 2005.) Both block and cylinder head must be identifiable as BP-Z3 components.

All internal engine parts must be standard or standard pattern parts, it is the competitor's responsibility to ensure that no prohibited modifications have been carried out if they are using an engine not assembled by them. No other modifications are permitted beyond the repair or adjustment processes specifically specified by the manufacturers' workshop manual with the exception that the cylinder bores must remain standard and the original size, no over boring is permitted even to allow the reclaiming of engines.

### 1. Modifications Permitted:

No modifications are permitted beyond the repair or adjustment processes specifically specified by the manufacturers' workshop manual. Replacement of valves, valve guides and valve seats must be with parts of standard pattern and material. Flywheels must be standard and weigh a minimum of 7.5kg.

Sumps must not be modified in any way. Cars which had sumps modified to increase ground clearance in 2019 and previously declared to 750 Motor Club will be given a period of grace for the 2020 season only. This must be declared at the time of 2020 registration.

### 2. Modifications Prohibited:

Any other than those permitted in 5.7.1. The standard cam chain cover/s must be retained. It is specifically prohibited to modify inlet ports, exhaust ports and combustion chambers in any way, and all must remain as cast. Camshaft profiles and cam timing must remain as standard removal of metal by grinding or modification is prohibited.

### 3. Location:

The engine must be fitted in line with the longitudinal axis of the chassis +/- 3 degrees, with the crankshaft axis within 40mm of the chassis centreline. Horizontal flat plate sections with a thickness up to 4mm and maximum area 100sqcm may be bolted or welded to the engine in order to accommodate mountings.

The rear face of the engine block (where the gearbox mounts) must be a minimum of 13cm from chassis member "Q" in Diagram 3 (see appendix.)

### 4. Oil/Water cooling:

Water radiators are free. Oil coolers are not permitted.

### 5. Induction Systems:

The inlet manifold must be replaced by an unmodified GBS Ma7da plenum (see appendix) and an unmodified GBS Ma7da restrictor plate (see appendix) fitted between the plenum and the face of the cylinder head. A standard throttle body from a BP-Z3 engine must be used.

An aftermarket cone or cylindrical air filter may be used but it must be open and not enclosed in an airbox of any sort. Heat shielding of the filter is permitted but must not fully enclose the filter.

### 6. Exhaust systems:

The exhaust manifold must be replaced with an unmodified GBS Ma7da manifold (see appendix) complete with an unmodified 100-cell catalytic converter downstream and ahead of a silencer. It should be possible for the catalytic converter element to be inspected internally at one end.

The rest of the exhaust system (including silencer) is free but must terminate on the passenger side of the chassis ahead of the rear wheel. No part of the manifold, silencer, or exhaust pipe may be covered or coated irrespective of any heat resistant properties. The wide band lambda sensor supplied with the ECU must be present, fitted in the manifold boss and operational at all times.

### 7. Ignition systems:

Cars must use a control Emerald K6 ECU supplied and sealed by the 750 Motor Club. Competitors may be asked to temporarily swap their ECU for one supplied by the organisers, failure to comply will result in

disqualification.

The VVT mechanism must remain connected and fully working at all times.

### 8. Fuel delivery systems:

A low-pressure fuel pump should be fitted together with a high-pressure fuel pump and swirl pot arrangement (or just a high-pressure pump with an in-tank swirl pot), connected to the unmodified BP-Z3 fuel rail. A GBS 3bar fuel pressure regulator (see appendix) must be fitted inline directly before the fuel rail. This must remain unmodified and pressure testing may be undertaken to ensure that the fuel pressure does not exceed 3bar.

### 9. Lubrication System:

The standard BP-Z3 sump, oil pump and oil pickup must remain unmodified, however an aftermarket sump baffle may be used. Sump guards are permitted.

## 5.8: SUSPENSIONS:

### 1. Permitted modifications:

The original type of suspension system must be retained and should be: -

**Front:** Unequal length wishbones with suspension pick-up points to the dimensions in Diagram 3, Appendix 6 of these regulations. The bushes for the inboard end of the wishbone must be either bonded rubber (Metalastic type), or 'plastic' non-metallic.

Springing may be only by coil spring damper units ('coilover dampers') with only one single piece single rate spring per damper. No additional springing medium is permitted. Dampers constructed of steel or alloy (including the mounting eyes) with internal reservoirs may be used and if adjustable, only have a single adjustment. Dampers may use rose or spherical joints at each end. The longitudinal positioning of either the top or bottom front suspension pick-up points on the chassis may be adjusted to provide the correct castor, if required. Also the wishbone chassis brackets may be wider to allow caster adjustment. The upright and hubs must be from Ford Cortina Mk III, IV or V. An anti-roll bar may be fitted but must be one-piece and use only one link at either end to connect to the suspension.

**Rear:** Escort Mk1 or Mk2 live rear axle located by upper and lower trailing arms each side combined with a 'Panhard' rod. The chassis pick up points for the rear radius rods must retain the longitudinal position specified in the book but may be moved vertically to either 4.3" or 5.75" apart; it is recommended that the radius rods should be kept parallel. The bushes for the ends of the trailing arms must be either bonded rubber (Metalastic type) or plastic.

For the Panhard Rod one 'Rose-joint' may be used but only at one end. 'Plastic non-metallic' suspension bushes may be used. The chassis bracket for the panhard rod may have an alternative vertical pick-up point. This is to allow the panhard rod to be parallel with the ground. An anti-roll bar may be fitted but must be one-piece and use only one link at either end to connect to the suspension.

### 2. Prohibited modifications:

No controls which could allow adjustment of anti-roll bars by the driver whilst normally seated are permitted. The use of spherical rod ends and rose joints is prohibited other than for one end of the 'Panhard' Rod, the damper eyelets and the anti-roll bar links. The use of anti-roll bars consisting of more than one torsion element is prohibited.

Modifications to suspension pickup points other than those permitted in 5.8.1 are prohibited.

### 3. Wheelbase/track:

Wheelbase must be to the original dimensions. The maximum permitted track is 1610mm. This measurement is taken between the outer most point of each front tyre at the point where the tyre makes contact with the ground.

### 5.9: TRANSMISSIONS:

The gearbox must be a manual 5 speed Mazda MX5 unit from any Mk1, M2 or Mk2.5 model, unmodified and with the following ratios.

|     |       |
|-----|-------|
| 1st | 3.136 |
| 2nd | 1.888 |
| 3rd | 1.330 |
| 4th | 1.000 |
| 5th | 0.814 |

A standard or standard pattern Mk2.5 VVT clutch must be used. Clutch operation may be via hydraulic or cable operation. The propshaft must be of steel construction, suitable units are available from GBS (see appendix.)

#### 1. Permitted modifications:

A 'quick shift' gear linkage may be fitted.

#### 2. Prohibited modifications:

Four wheel drive is not permitted. Rose joints or spherical rod ends are not permitted in any transmission locating linkages with the exception of that detailed in 5.8.1. Any form of traction control is not permitted.

#### 3. Final Drive ratios:

The final drive ratio and differential must use genuine series-production FoMoCo parts; optional Ford Motorsport final drive ratios, differential units or specialist competition parts are not permitted. The only permitted final drive ratios are 3.9:1 or 3.89:1 Limited slip, locked, torque-biasing differentials or similar are not permitted.

### 5.10: ELECTRICS

**1. Exterior Lighting:** Brake warning lights must be operational and operated only by the brake pedal without a delay. Headlights if fitted must be a minimum diameter of 5¾". The front headlights, front and rear side lights and front and rear indicators may be removed as per MOTORSPORT UK J 5.14.3 & J 5.14.4.

**2. Rear Warning Light:** An LED rear fog light to EU regulation 7, an FIA homologated LED rear warning light, or an LED stop light to EU regulation 38 is mandatory and must be mounted directly to the rear or the underside of the rear roll hoop, within 10cms of the centreline of the vehicle. Any manufacturer fitted rear fog light must not be switched on unless it complies fully with this regulation.

**3. Batteries:** A battery and starter motor capable of repetitive starts must be fitted and operable by the driver whilst normally seated.

**4. Generators:** A fully working alternator from a Mk1 Mazda MX5 must be fitted and electrically connected so that the standard battery charging function is providing a charge to the onboard battery. The alternator/generator must be located in the standard position. Alternative mounting brackets may be used.

### 5.11: BRAKES

**A:** Rear brakes may be either FoMoCo drum brakes from a 'Kent' engined Cortina, Capri or Escort (brake lining material is free). Alternatively, single piece cast iron discs with a maximum diameter of 246mm may be used. Discs may be grooved, vented and cross drilled. **Calipers may be either alloy or cast iron, but must be either single piston sliding type or with a maximum of two pistons.**

**B:** Front brakes must be standard Cortina **one-piece** cast iron discs from a 'Kent' engined Escort, Cortina or Capri with a maximum diameter of 246mm. Discs may be grooved, vented and cross drilled. Calipers must be of cast iron construction from a Ford Cortina however these may be modified in order to accept thicker vented brake discs. Pad material is free, though carbon-fibre is prohibited Brake hoses are free.

**C:** A handbrake mechanism must be fitted. It shall operate on both rear wheels and be capable of resisting movement (forwards and backwards) when tested by a Scrutineer on flat level dry surface. This may be either cable operated or work using a hydraulic handbrake assembly acting in the rear brake line.

#### 1. Permitted Modifications:

The friction face of the brake drum may be reclaimed by simple machining within manufacturer's repair tolerances. Pedal box and master cylinder/s are free. An adjustable bias valve may be fitted.

#### 2. Prohibited Modifications:

ABS systems are prohibited. The use of brake drums which are modified in any way other than that permitted in 5.11.1 is prohibited.

### 5.12: WHEELS / STEERING

**1. Permitted Options:** Steering rack must be from a Ford Escort Mk1 or Mk2; ratio of the rack is free. Steering rack mounts may be strengthened and rubber bushes replaced with different materials. Steering arm extensions are not permitted.

**2. Prohibited Options.** No other modifications are permitted including the fitment of any 'wheel trims' or similar air deflectors.

**3. Construction & Materials:** WHEELS: Steel or **one piece** aluminium-alloy.

**4. Dimensions:** Maximum width 6". Diameter 13".

### 5.13: TYRES

**1. Specifications:** **The only permitted tyres are the Yokohama A048 sized at 170/550R13.** No alteration to the tyre from the manufacturer's specification is permitted. Re-cutting, re-grooving or in any other way modifying the tread pattern is not permitted. All the manufacturer's data must be clearly visible. Buffing of sidewalls to remove data is prohibited. Tyres must be to MOT requirements in every respect. The use of tyre heating/heat retention devices, tyre treatments and compounds is prohibited.

**2. Nominated Supplier:** Polleysport

### 5.14: VEHICLE WEIGHT:

Minimum weight including driver and race overalls, helmet etc. is 665kg.

### 5.15: FUEL TANK / FUEL

**1. Types:** Fuel tanks are free but safety tanks are recommended. A non-return valve must be incorporated in the vent system.

**2. Locations:** Free within the area behind the rear bulkhead. Chassis or bulkhead may not be modified to allow fitment of the tank (it is recommended fuel tanks are not mounted directly to the aluminium rear bulkhead panel as this may contravene Q19.1.1 The exception to this is to allow the addition of brackets to the chassis for

the mounting of the fuel tank. On safety grounds none of the fuel filler pipework, the filler cap or associated fittings may be attached to the external bodywork.

**3. Fuel:** Only petrol as defined in Section B Nomenclature & Definitions, Pump Fuel a) section of the MOTORSPORT UK Yearbook for the current year and complying with BSEN228 may be used; fuel which exceeds the stated RON (max) levels in Appendix 1 of Section B Nomenclature & Definitions is prohibited even if it is sold/promoted as being legal for UK Competition and/or obtainable from 'roadside' pumps. The use of additives by competitors which boost the octane rating (RON) in any petrol is prohibited. At the end of practice and the race at least 3 litres of petrol from the tank of the competing car must be available to the scrutineers for analysis. Compliance with minimum weight for the car will be taken before the petrol is removed.

**5.16: SILENCING:**

All vehicles must comply with the relevant maximum noise limits set out in MOTORSPORT UK Blue Book regulation J. Chart 5.18.

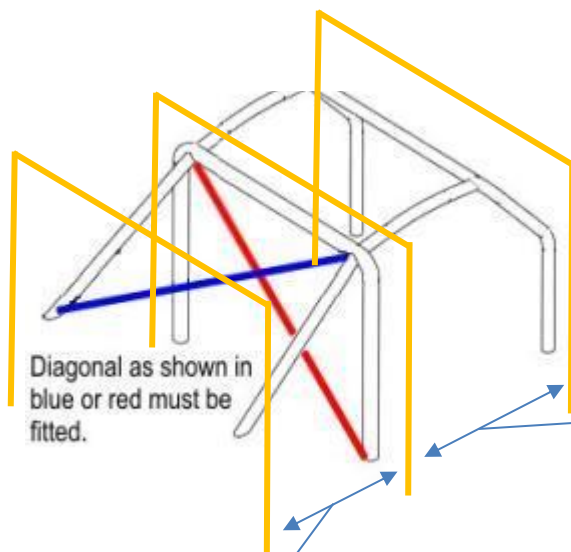
**5.17: NUMBERS & SERIES DECALS**

**1. Positions:** Race numbers must be displayed on each side of the vehicle alongside the cockpit/driver and as far forward on the front of the vehicle as possible. 750 Motor Club decals must be affixed prominently near all number backgrounds. Series Sponsor's decals (where applicable) must be affixed in or near the positions detailed on any diagram supplied with those decals. No decals may be affixed to the aeroscreen. 750 Motor Club and Series Sponsor's decals must take preference to any other decals. Failure to comply will render the vehicle and driver ineligible to race.

**2. Suppliers:** Sponsors and Club decals will be available at the first Series race in which the vehicle is entered.

**6. APPENDICES:**

Diagram 1 – ROPS guidance notes if no ROPS certificate exists for a given cage design.



Front section of Roll cage not covered by ROPS but is a mandatory requirement for class regulations.  
 Tube sizes (Including side impact bar(s)) to be diameter 38mm x 2.5 (1.5" x 0.095") or 40mm x 2.0 (1.6" x 0.083") or larger.  
 (See MOTORSPORT UK Blue Book Section K for Material specification and further details)

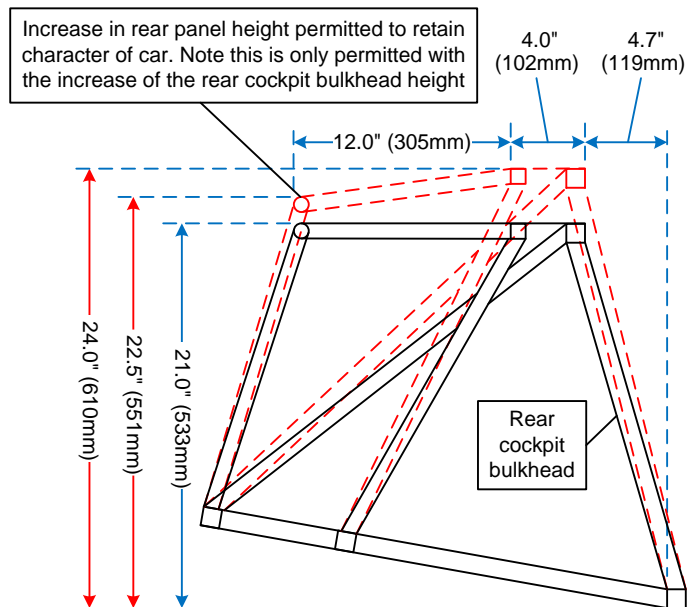
Rear section of Roll cage must meet MOTORSPORT UK Regulations (See Section K)  
 Tube to be diameter 45mm x 2.5 (1.75" x 0.095") or 50mm x 2.0 (2.0" x 0.083")  
 Rear stays at 30 degrees to the vertical, with steel reinforcement plate at least 3mm thick and of at least 120cm<sup>2</sup> area at the point of attachment to the chassis.  
 (See MOTORSPORT UK Blue Book Section K for Material specification and

Note:- For any MOTORSPORT UK ROPS Certified systems please ensure Valid Certification for the class (e.g. Ma7da) and Certificate label attached in correct position as defined by the ROP's Certification documentation.

Contact 750MC Chief Scrutineer for any clarification on MOTORSPORT UK ROPS



Diagram 2

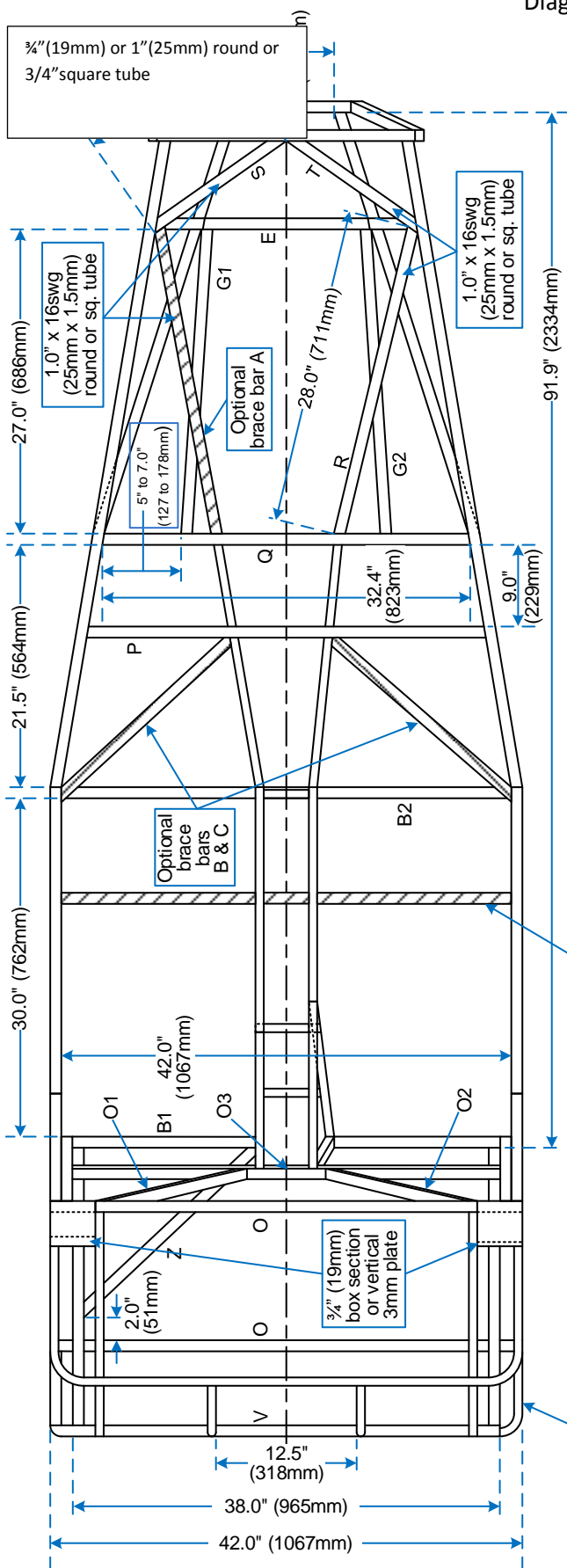


To achieve SVA Compliant Upper Seat Belt mountings it is permitted to increase the height of the rear cockpit bulkhead.

Standard shown —  
Maximum alternative height shown - - -



Diagram 3



Additional transverse chassis tube 1" sq x 16swg (25mm x 1.5mm) is permitted as 5.5. If a side-entry bar is used this tube should be in line with lower mount.

Alternative design

**Plan and side elevation of complete chassis**

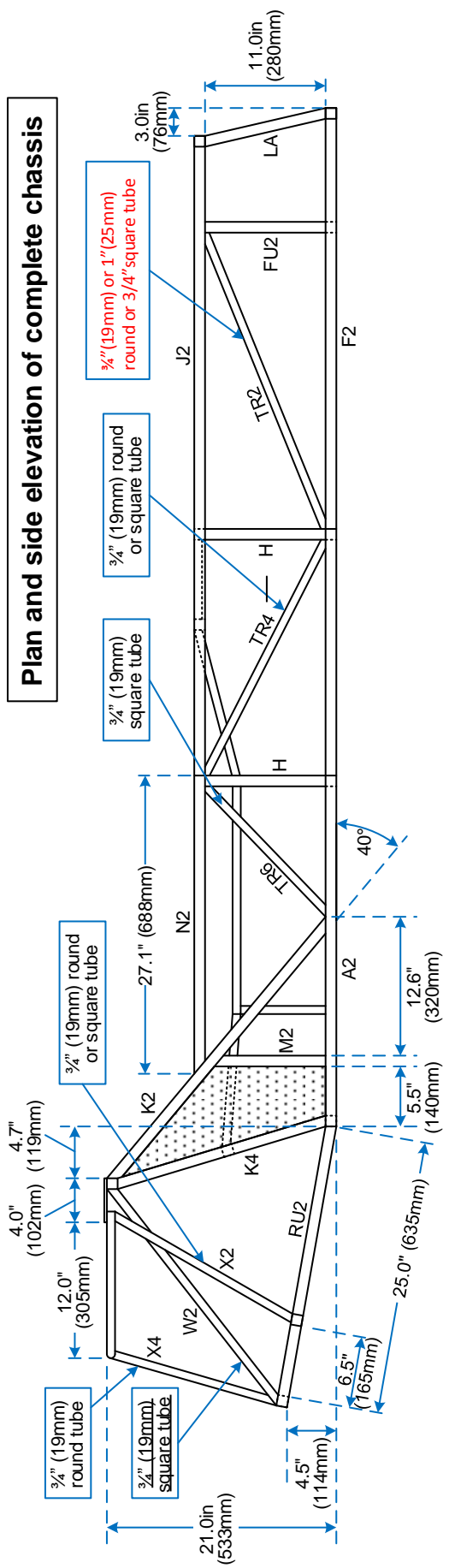
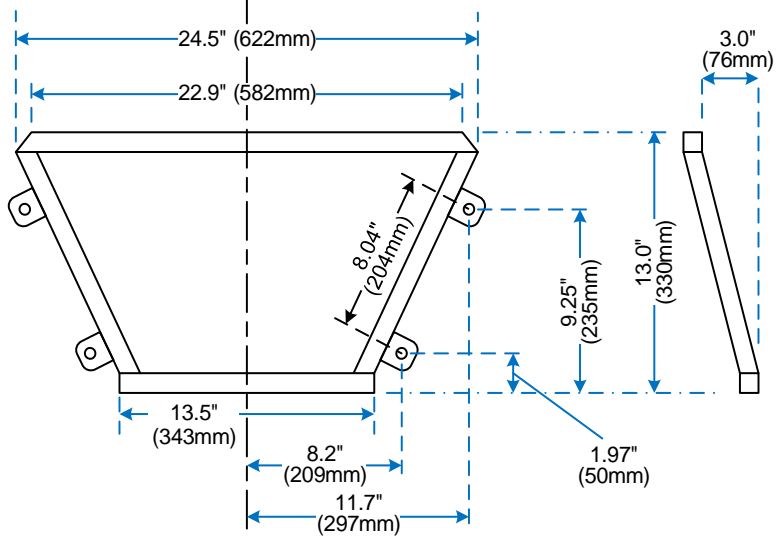


Diagram 4

Top drawing is Front chassis frame and location of the suspension mounting brackets (As standard).  
 Alternative dimensions for the suspension mounting brackets may be used but must conform to the dimensions shown in the lower diagram.  
 (Tolerance  $\pm 15\text{mm}$  unless otherwise stated on drawings)



|   |                         |
|---|-------------------------|
| A: Inner lower pickup to underside of Chassis | 65mm $\pm 20\text{mm}$  |
| B: Inner upper pickup to underside of Chassis | 245mm $\pm 20\text{mm}$ |
| Distance between:-                            |                         |
| C: Inner lower pickups                        | 420mm $\pm 40\text{mm}$ |
| D: Inner upper pickups                        | 600mm $\pm 40\text{mm}$ |

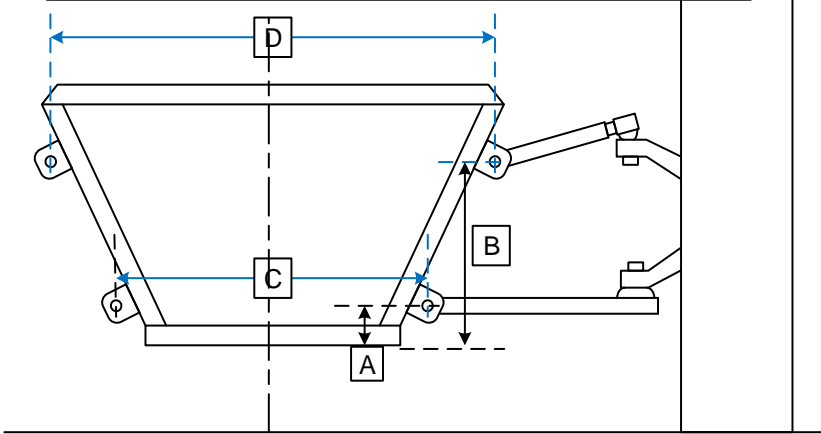


Diagram 5

**Position of rear suspension mounting brackets**  
 (Positioning tolerance +/- 5mm)

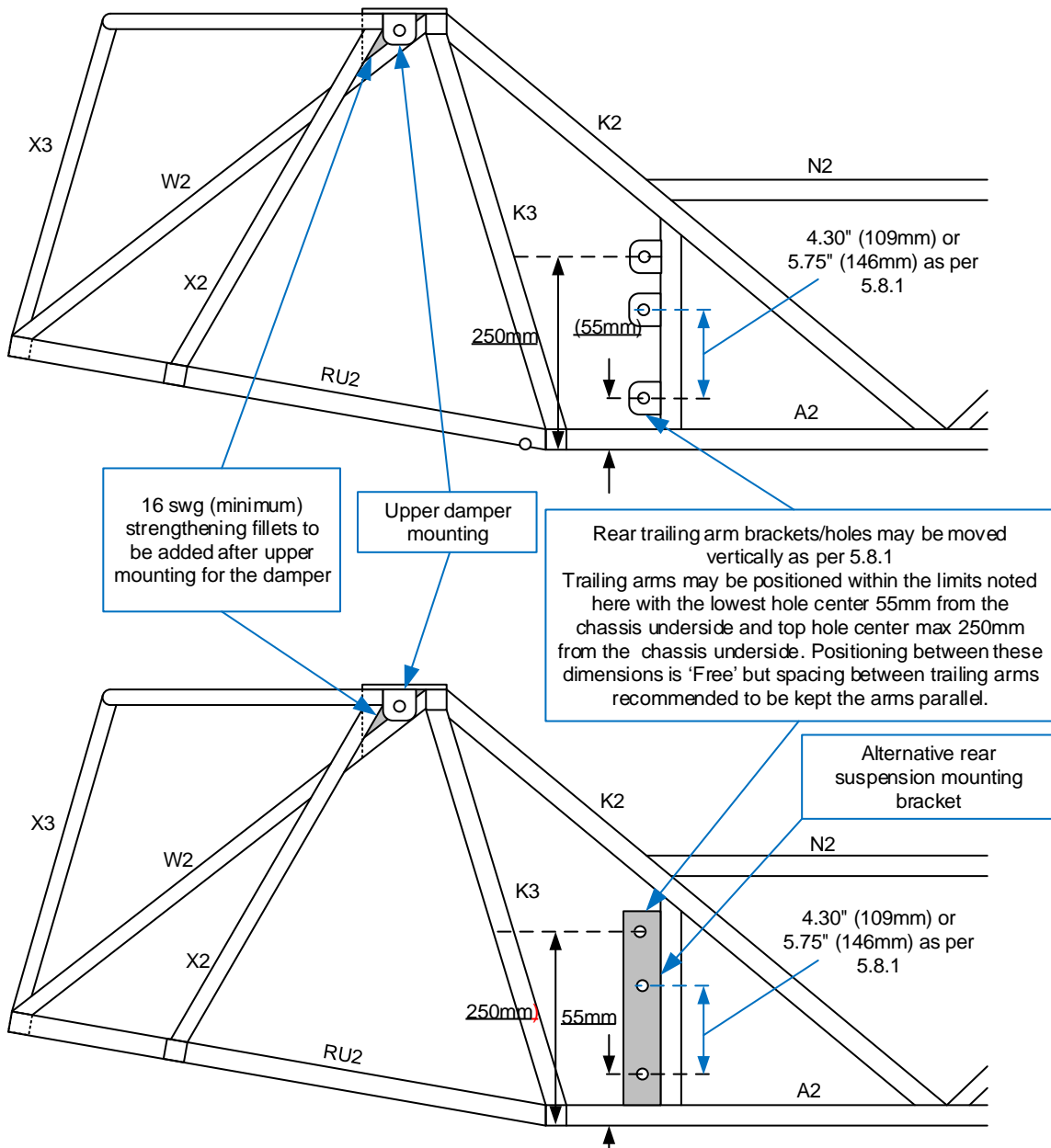
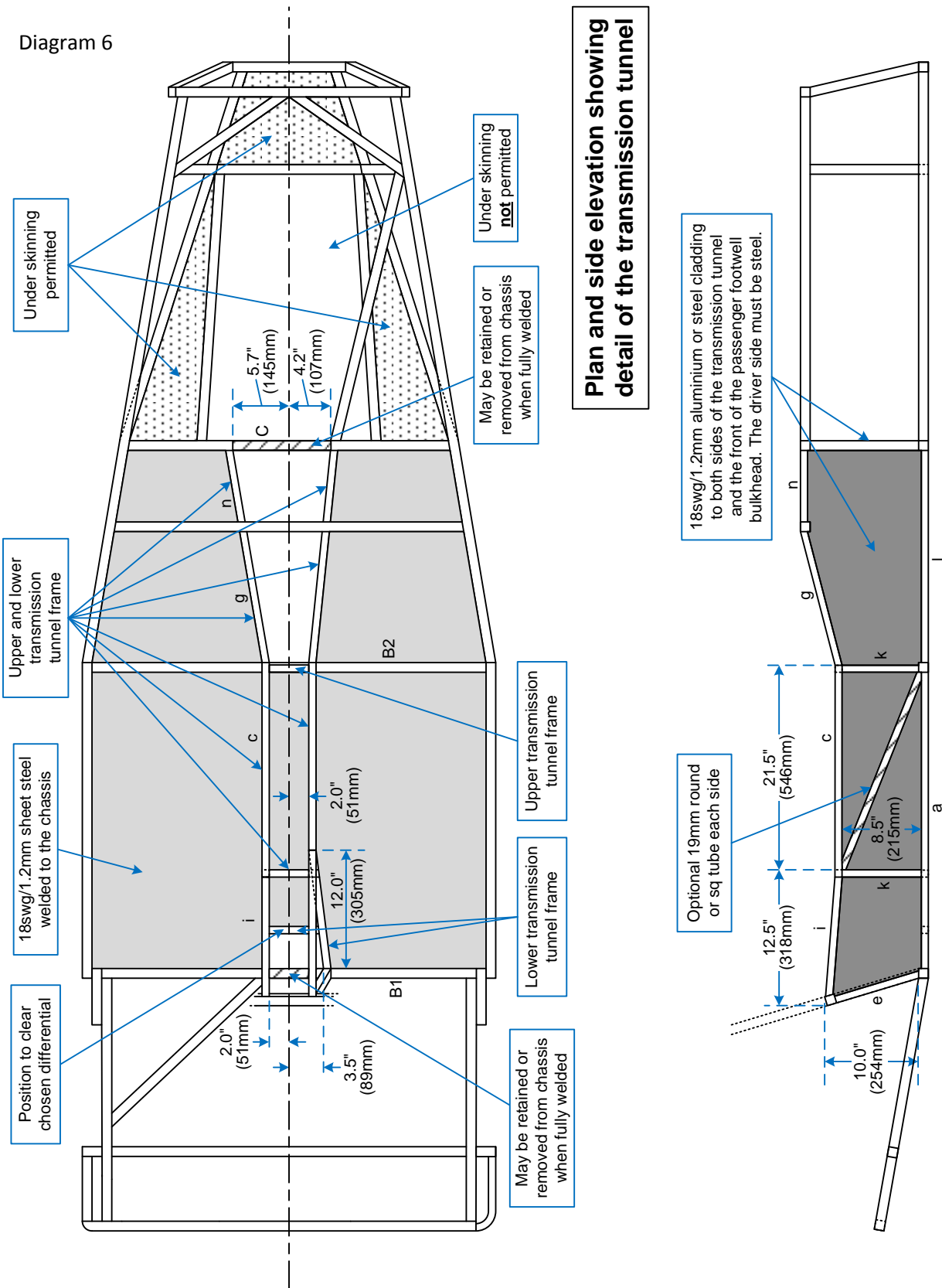


Diagram 6



**Plan and side elevation showing detail of the transmission tunnel**

18swg/1.2mm aluminium or steel cladding to both sides of the transmission tunnel and the front of the passenger footwell bulkhead. The driver side must be steel.

Optional 19mm round or sq tube each side

May be retained or removed from chassis when fully welded

Lower transmission tunnel frame

Upper transmission tunnel frame

May be retained or removed from chassis when fully welded

Under skinning **not** permitted

Under skinning permitted

Upper and lower transmission tunnel frame

18swg/1.2mm sheet steel welded to the chassis

Position to clear chosen differential





Front and Rear Wings

Mandatory & Optional Parts List

Mandatory & Optional Parts List

| Mandatory Parts                                   | Price (all + VAT) | Part Number    | Supplier         | Contact             |
|---|-------------------|----------------|------------------|---------------------|
| Ma7da Exhaust Manifold                            | £165.50           | EXH0095        | KitSpares        | 01623 860990        |
| 100-cell Catalytic Converter                      |                   |                |                  |                     |
| Ma7da Inlet Plenum                                | £196.45           | ENG0254        | KitSpares        | 01623 860990        |
| Ma7da Restrictor Plate                            | £40.00            | ENG0255        | KitSpares        | 01623 860990        |
| Ma7da Fuel Pressure Regulator                     | £76.41            | FUE0174        | KitSpares        | 01623 860990        |
| <b>Ma7da Control Parts Kit (all of the above)</b> | <b>£590.00</b>    | <b>PAC0001</b> | <b>KitSpares</b> | <b>01623 860990</b> |
|   |                   |                |                  |                     |
| Emerald ECU & Lambda Sensor Kit                   |                   | 750MCEME       | 750 Motor Club   | 01332 814548        |
| Optional Parts                                    | Price             |                | Supplier         | Contact             |
| Engine/Emerald Wiring Loom                        | £345.00           | ELC0314        | KitSpares        | 01623 860990        |
| Cone Air Filter                                   | £32.95            | ENG0031        | KitSpares        | 01623 860990        |
| Propshaft   | From £204         | TRA0149        | KitSpares        | 01623 860990        |
| Engine Mount Kit                                  | £79.80            | ENG0091        | KitSpares        | 01623 860990        |
| Gearbox Mount Kit                                 | £24.00            | TRA0036        | KitSpares        | 01623 860990        |
| High Pressure Fuel Pump                           | £55.00            | FUE0011        | KitSpares        | 01623 860990        |
| High Pressure Fuel Line and Clips Kit             | £42.50            | FUE0007        | KitSpares        | 01623 860990        |
| Swirl Pot   | £80.00            | FUE0017        | KitSpares        | 01623 860990        |
| Throttle Cable                                    | £24.96            | CAB0006        | KitSpares        | 01623 860990        |
| Alloy Radiator                                    | £259.95           | CST0259        | KitSpares        | 01623 860990        |
| Silencer  | £245.83           | EXH0015        | KitSpares        | 01623 860990        |